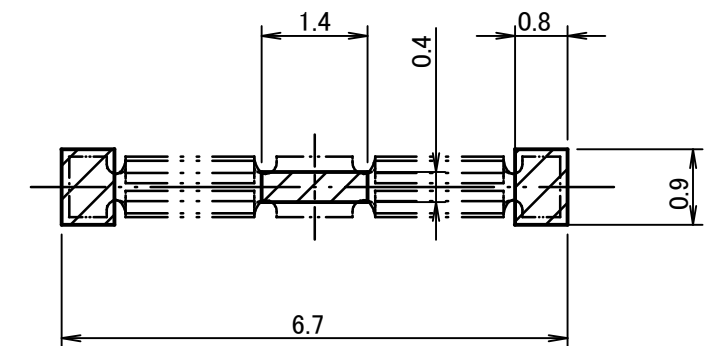
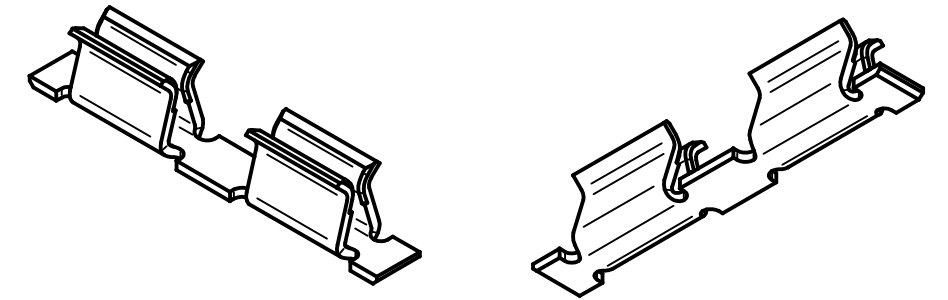
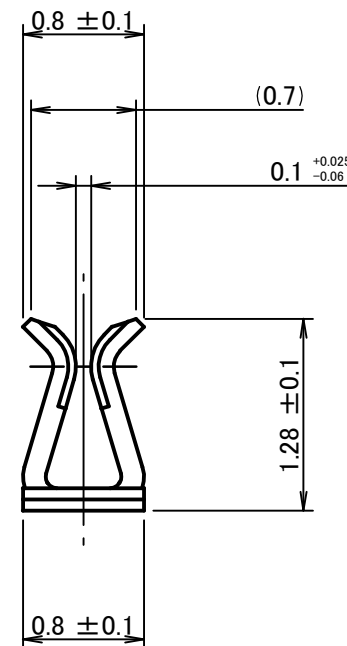
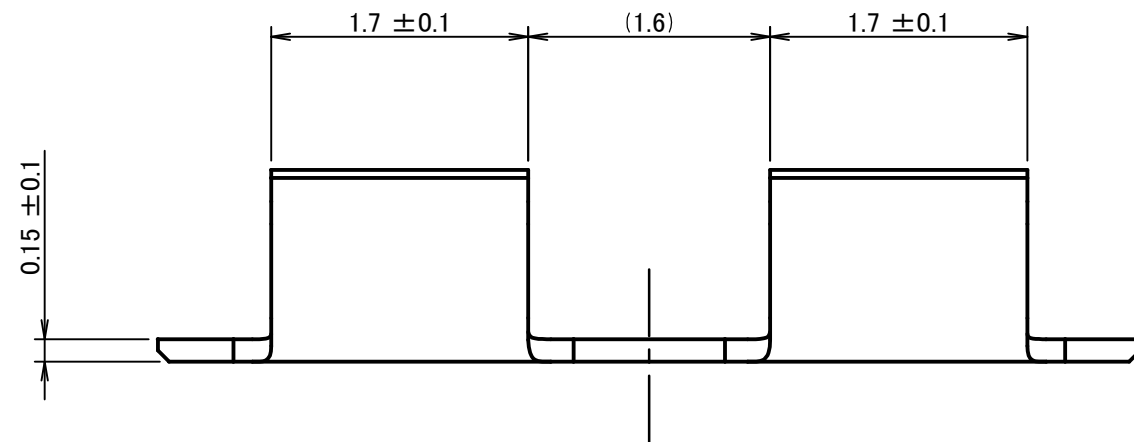
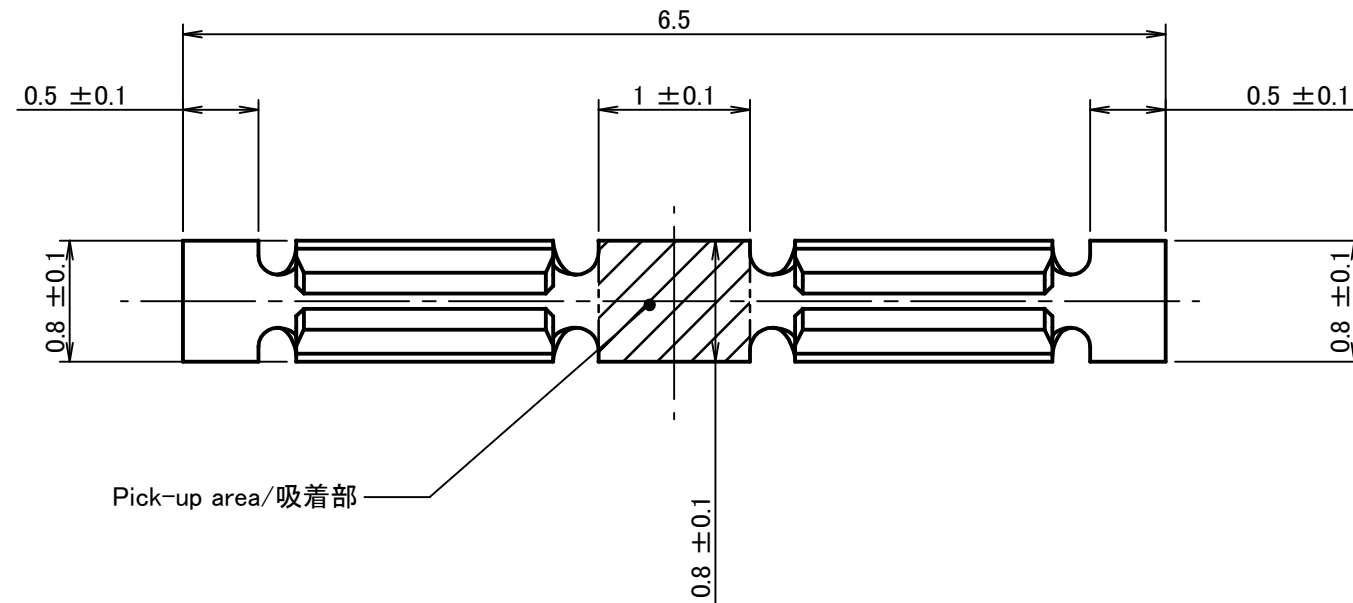


REV	CRR No.	DESCRIPTION	APPVD BY	DATE
A		FIRST RELEASE	Takahashi	2010/11/17



Recommended Pad Size(Scale 10:1)  
参考ランドパターン(尺度 10:1)

【Note】

1. Material: Phosphor Bronze Alloys C52100 thickness=0.15
2. Finish: Tin(1.3 μm Min.) over Nickel(1.5 μm Min.)
3. Pre-plating
4. Recommended shield thickness: 0.15 ± 0.02

【注記】

1. 材料: C5210 t=0.15
2. 表面処理: Niめっき(1.5 μm以上)上 Snめっき(1.3 μm以上)
3. 破断面にめっきはつかない(材料めっき)
4. シールドケース推奨板厚: 0.15 ± 0.02

-THE SUPPLIED PART IS RoHS COMPLIANCE- RoHS対応品

This drawing and the information set forth herein are the property of Autossplice and are to be held in trust and confidence. Publication, duplication, disclosure or use for any purpose not expressly authorized in writing by Autossplice is prohibited.		AUTOSPLICE JAPAN CO. LTD. 3-7-39 Minami-cho Higashikurume-shi Tokyo 203-0031 Japan	
3rd ANGLE PROJECTION ⊙	DRAWING BY: Togami	DATE: 2010/11/17	
	APPRD BY: Takahashi	DATE: 2010/11/17	
GENERAL TOLERANCE OTHERWISE SPECIFIED ALL DIM IN METRIC(INCHES)		TITLE: Shield Clip Compact シールドクリップ コンパクト	
DECIMAL ± 0.2	ANGULAR	SIZE A3	FSCM No. N.A.
		PART No. 7-88-70001	REV. A
SCALE: 20:1		DRAWING FILE: 7-88-70001s.dft	
		SHEET 1 of 1	

Sales COPY