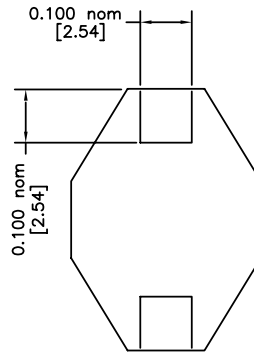
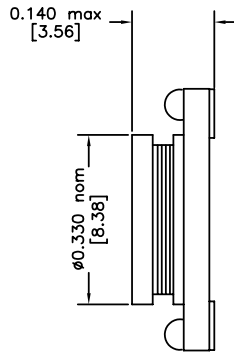
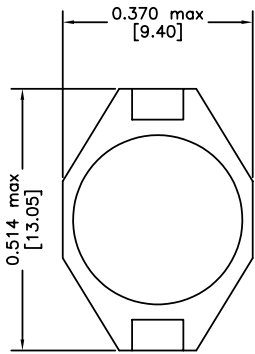


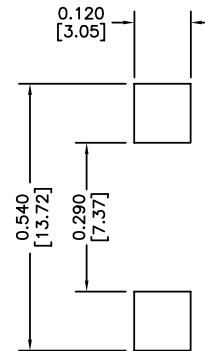
HALO Electronics, Inc. is pleased to present this low cost series of miniature power inductors. The HDC140 series is ideal for portable equipment such as handheld PDA's, palmtop computers as well as test equipment. The entire HDC series is ROHS compliant and Lead Free. Non-standard solutions are also available. Please contact your HALO representative.



Package Dimensions Inch [mm]



Recommended Solder Pad



PART NUMBER	IND $\pm 20\%$ (μH)	DCR (max) (ohm)	SRF (typ) (MHz)	IDC (max) ¹ (A)
HDC140-100MTR	10	0.11	35	2.4
HDC140-150MTR	15	0.15	33	2.0
HDC140-220MTR	22	0.23	25	1.6
HDC140-330MTR	33	0.30	19	1.4
HDC140-470MTR	47	0.39	14	1.0
HDC140-680MTR	68	0.66	12	0.9
HDC140-101MTR	100	0.84	10	0.7
HDC140-151MTR	150	1.20	8.0	0.6
HDC140-221MTR	220	1.9	6.0	0.5
HDC140-331MTR	330	2.7	5.0	0.4
HDC140-471MTR	470	4.0	4.0	0.3
HDC140-681MTR	680	5.3	3.0	0.2
HDC140-102MTR	1000	8.4	2.5	0.1

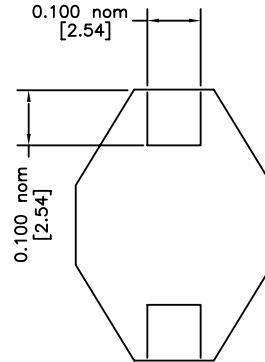
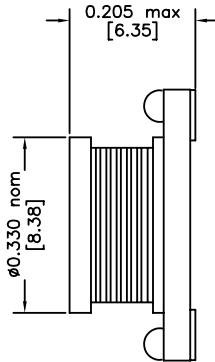
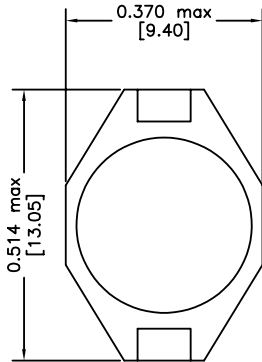
1. DC current that will cause inductance (L) drop by 10% from nominal value

2. Operating temperature range of -40C to +85C

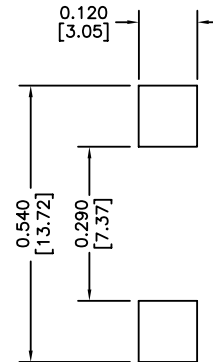
HALO Electronics, Inc. is pleased to present this low cost series of SMD miniature power inductors. The high energy storage capability makes the HDC205 series ideal for DC-DC conversion in handheld PDA's and notebook computers. The entire HDC series is ROHS compliant and Lead Free.



Package Dimensions Inch [mm]



Recommended Solder Pad



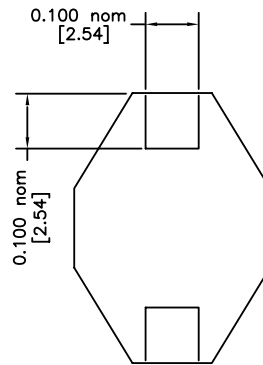
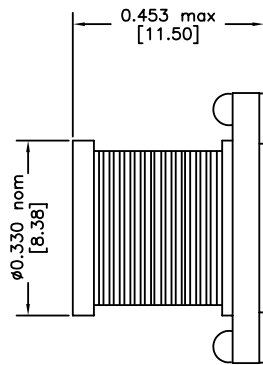
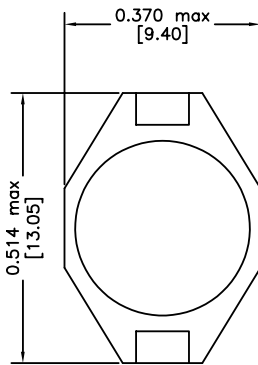
PART NUMBER	IND $\pm 20\%$ (μH)	DCR (max) (ohm)	SRF (typ) (MHz)	IDC (max) ¹ (A)
HDC205-1R0MTR	1.0	.009	100	9.0
HDC205-1R5MTR	1.5	.010	90	8.0
HDC205-2R2MTR	2.2	.012	80	7.0
HDC205-3R3MTR	3.3	.015	65	6.4
HDC205-4R7MTR	4.7	.018	45	5.4
HDC205-6R8MTR	6.8	.027	38	4.6
HDC205-100MTR	10	.038	30	3.8
HDC205-150MTR	15	.046	27	3.0
HDC205-220MTR	22	.085	19	2.6
HDC205-330MTR	33	0.10	15	2.0
HDC205-470MTR	47	0.14	12	1.6
HDC205-680MTR	68	0.20	10	1.4
HDC205-101MTR	100	0.28	9.0	1.2
HDC205-151MTR	150	0.40	6.0	1.0
HDC205-221MTR	220	0.61	5.0	0.8
HDC205-331MTR	330	1.02	4.5	0.6
HDC205-471MTR	470	1.27	3.5	0.5
HDC205-681MTR	680	2.02	2.5	0.4
HDC205-102MTR	1000	3.00	2.0	0.3

1. DC current that will cause inductance (L) drop by 10% from nominal value
2. Operating temperature range of -40C to +85C

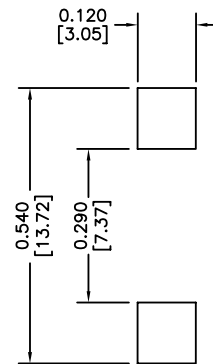
HALO Electronics, Inc. is pleased to present the HDC450 SMD series. This high current, low cost series of power inductors provides excellent current handling capabilities. The HDC series is ROHS compliant and Lead Free. Non Standard versions are available.



Package Dimensions Inch [mm]



Recommended Solder Pad



PART NUMBER	IND $\pm 20\%$ (μH)	DCR (max) (ohm)	SRF (typ) (MHz)	IDC (max) ¹ (A)
HDC450-100MTR	10	0.04	22	8.0
HDC450-150MTR	15	0.05	18	7.0
HDC450-220MTR	22	0.066	11	5.5
HDC450-330MTR	33	0.08	9.0	4.0
HDC450-470MTR	47	0.11	8.0	3.8
HDC450-680MTR	68	0.17	7.0	3.0
HDC450-101MTR	100	0.22	5.0	2.5
HDC450-151MTR	150	0.34	4.0	2.0
HDC450-221MTR	220	0.44	3.5	1.6
HDC450-331MTR	330	0.70	2.5	1.2
HDC450-471MTR	470	0.95	2.0	1.0
HDC450-681MTR	680	1.20	2.0	1.0
HDC450-102MTR	1000	2.00	1.5	0.8

1. DC current that will cause inductance (L) drop by 10% from nominal value

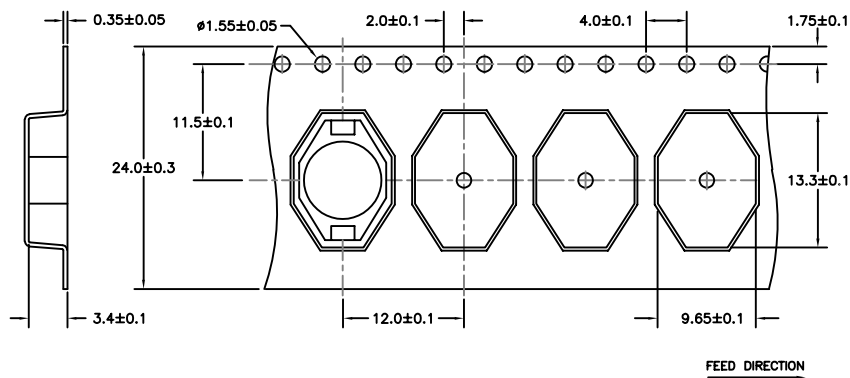
2. Operating temperature range of -40C to +85C



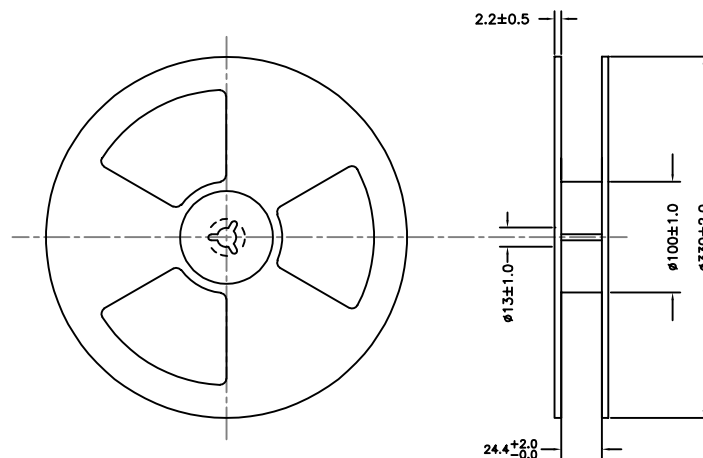
HDC140-

1500 PARTS PER REEL

CARRIER TAPE DIMENSIONS (mm)



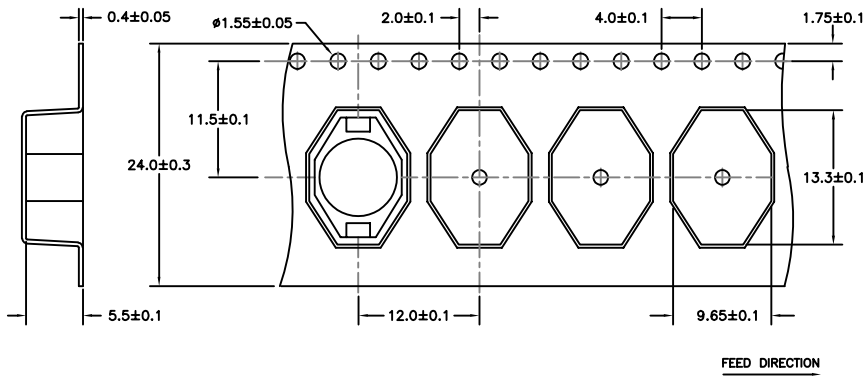
REEL DIMENSIONS (mm)



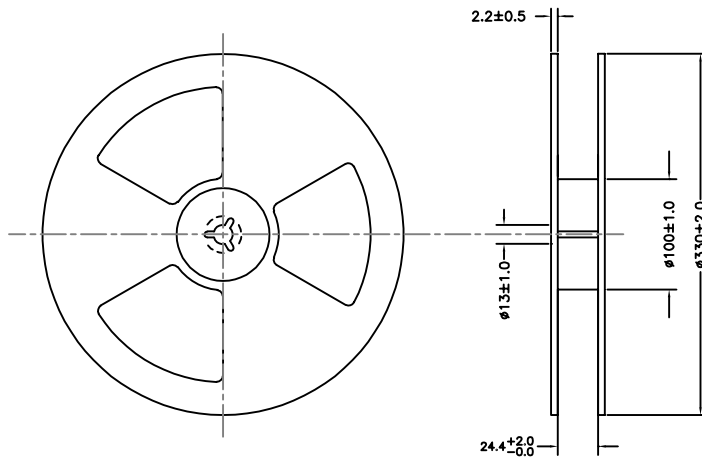


HDC205-
1000 PARTS PER REEL

CARRIER TAPE DIMENSIONS (mm)



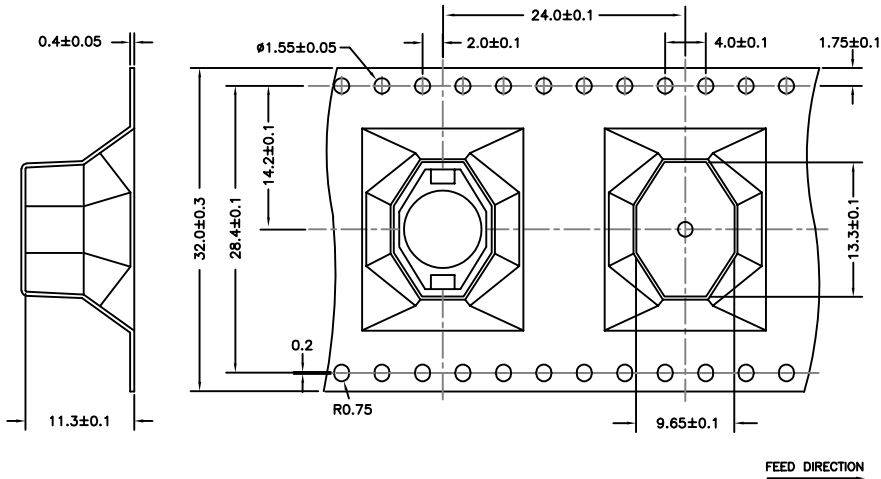
REEL DIMENSIONS (mm)





HDC450-
250 PARTS PER REEL

CARRIER TAPE DIMENSIONS (mm)



REEL DIMENSIONS (mm)

