

# JN1/JN2 Series Waterproof Circular Connector

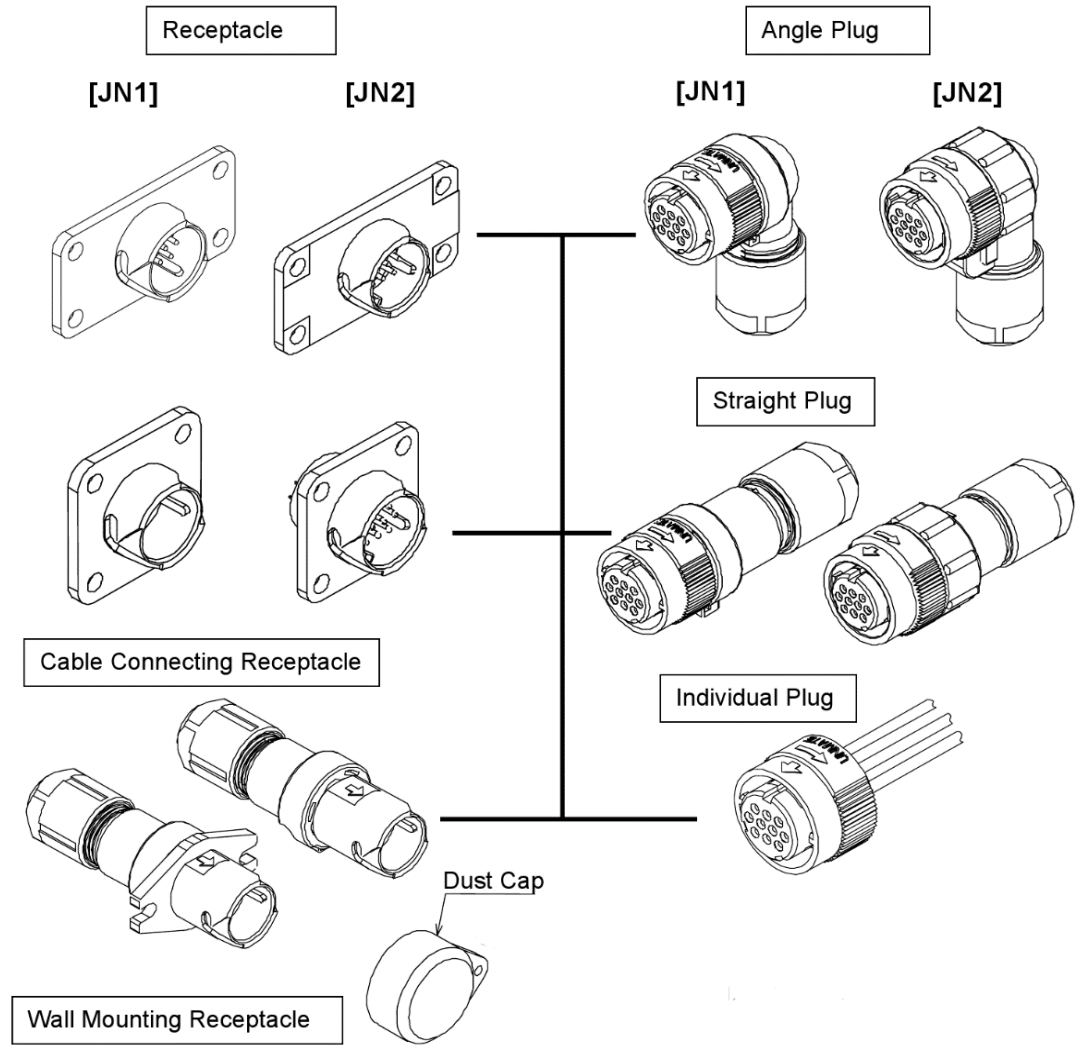
Connector Training Module

## JN1/JN2 Series Overview



The JN1/JN2 is a waterproof circular connector series with a one-touch lock mechanism developed as an interface for industrial devices. Available in an all-plastic type (JN1) and a partially metal robust type (JN2). Both are compact in design and are suitable for all kinds of electronic devices. JN1 and JN2 are UL certified. The 4- contact JN2 is TUV certified.

# JN1/JN2 Series Line-up

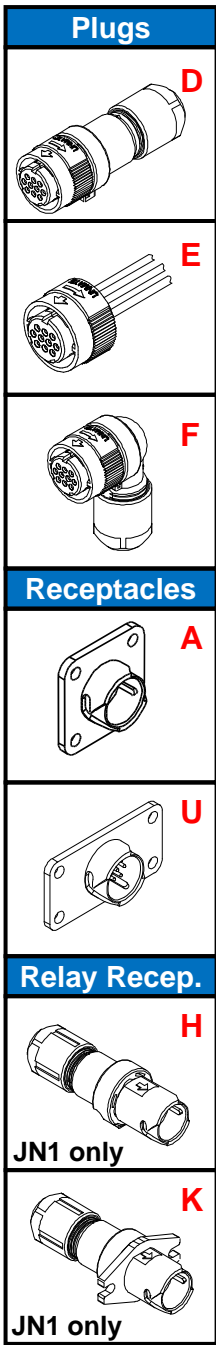


# JN1 General Specifications

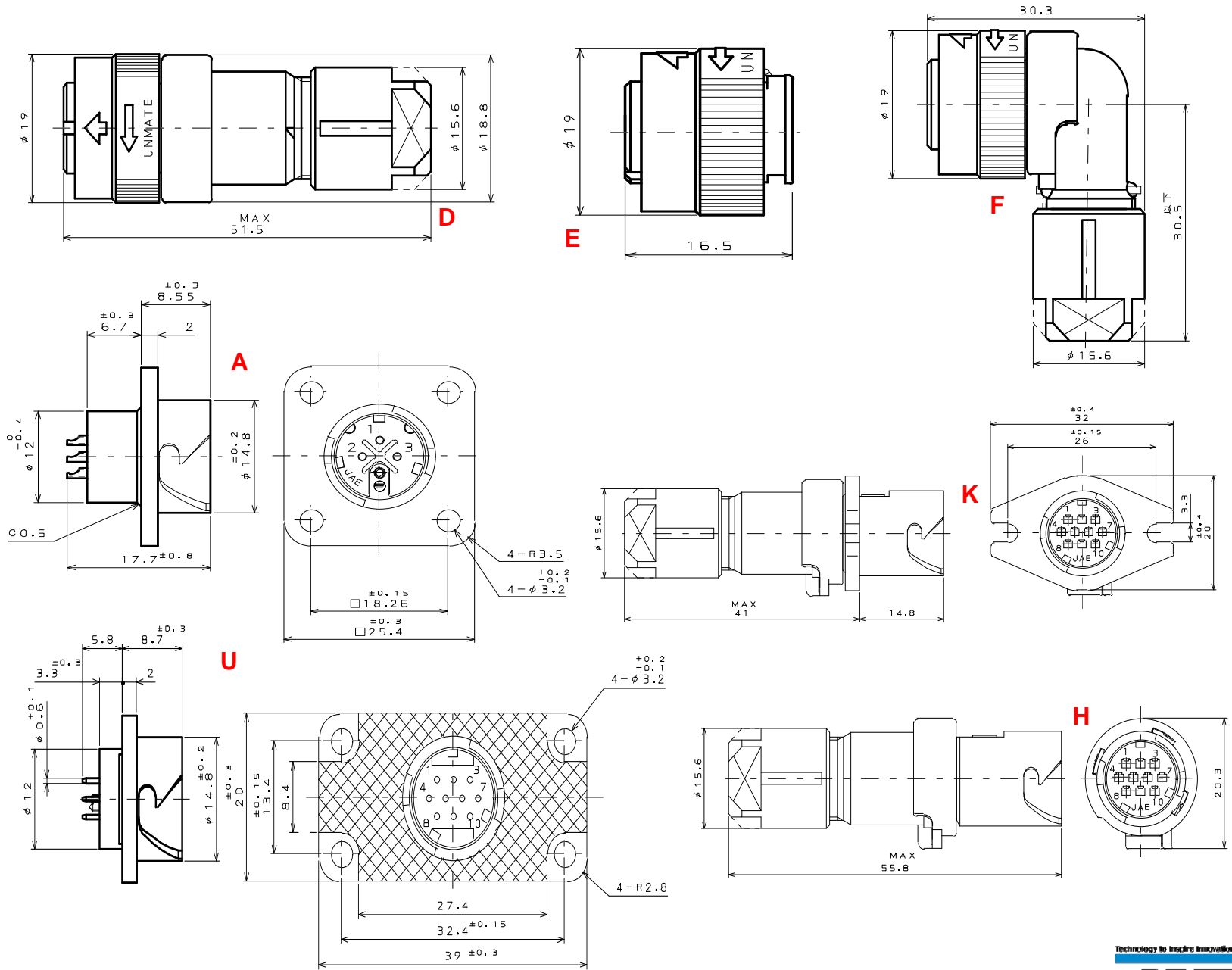
Item	Specifications and Performance	
<b>No. of Contacts</b>	10	4
<b>Rated Current</b>	3A / pin	5A / pin
<b>Rated Voltage</b>	200 VAC	200 VAC
<b>Withstanding Voltage</b>	900 VAC (per minute)	2000 VAC (per minute)
<b>Insulation Resistance</b>	1000M $\Omega$ min. (DC500V energized)	1000M $\Omega$ min. (DC500V energized)
<b>Waterproof</b>	IP67	IP67
<b>Airtightness</b>	2.9 x 10 <sup>4</sup> PA per minute without leakage	2.9 x 10 <sup>4</sup> PA per minute without leakage
<b>Operating Temperature</b>	-20°C to +125°C	-20°C to +125°C
<b>Wire Specification</b>	Receptacle: Through-hole, Soldering (0.3mm <sup>2</sup> max.) Plug: Crimp (AWG 20 to 28)	Receptacle: Soldering (0.75mm <sup>2</sup> max.) Plug: Soldering (1.25mm <sup>2</sup> max.)
<b>Life Cycle</b>	500 times	500 times

# JN2 General Specifications

Item	Specifications and Performance	
<b>No. of Contacts</b>	10	4
<b>Rated Current</b>	3A / pin (#22 size contact)	5A / pin (#20 size contact)
<b>Rated Voltage</b>	200 VAC	200 VAC
<b>Withstanding Voltage</b>	900 VAC (per minute)	2000 VAC (per minute)
<b>Insulation Resistance</b>	1000M $\Omega$ min. (DC500V energized)	1000M $\Omega$ min. (DC500V energized)
<b>Waterproof</b>	IP67	IP67
<b>Airtightness</b>	2.9 x 10 <sup>4</sup> PA per minute without leakage	2.9 x 10 <sup>4</sup> PA per minute without leakage
<b>Operating Temperature</b>	-20°C to +125°C	-20°C to +125°C
<b>Wire Specification</b>	Receptacle: Through-hole, Soldering (0.3mm <sup>2</sup> max.) Plug: Crimp (AWG 20 to 28)	Receptacle: Soldering (0.75mm <sup>2</sup> max.) Plug: Soldering (1.25mm <sup>2</sup> max.)
<b>Life Cycle</b>	500 times	500 times

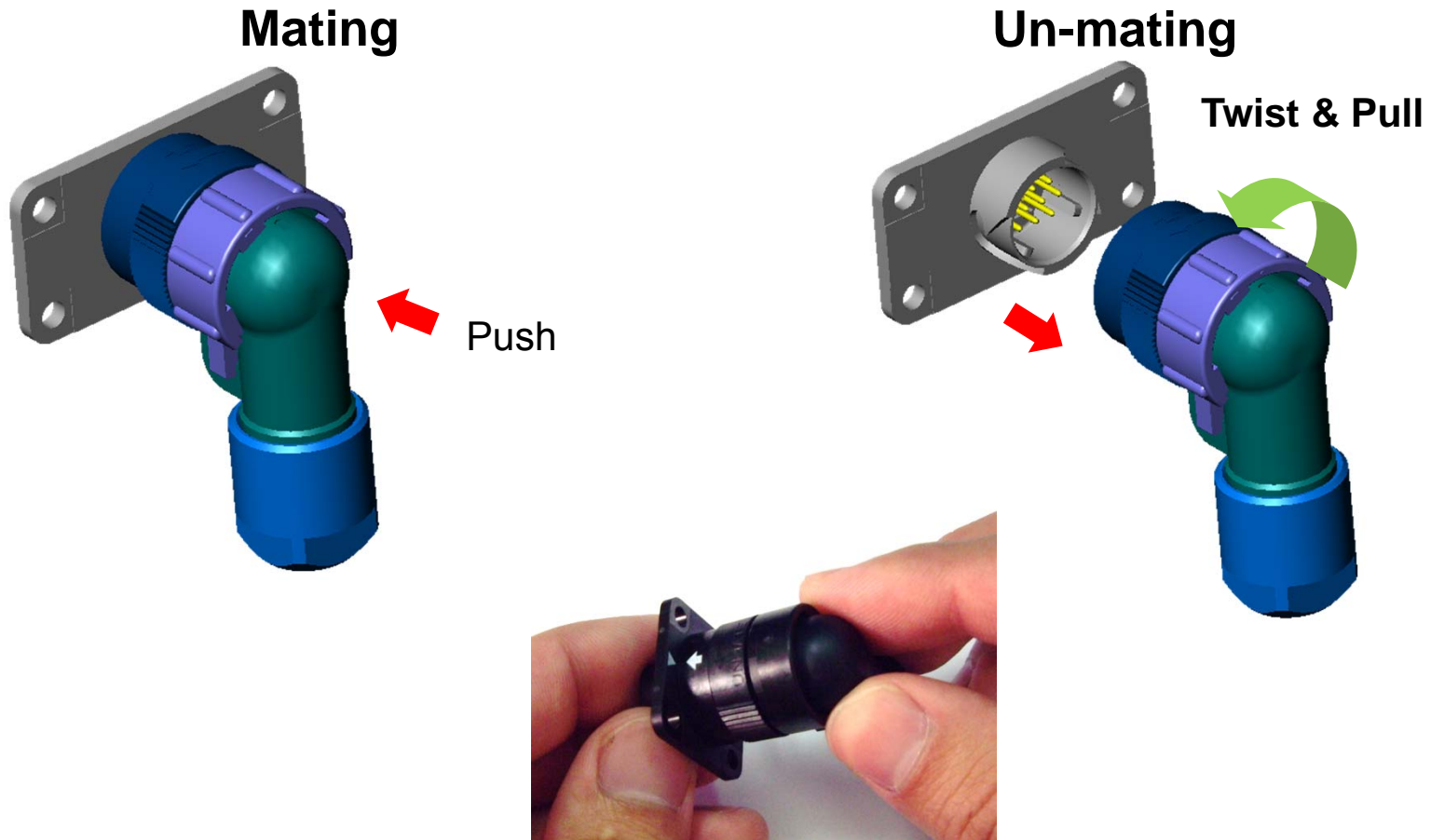


# Dimensions

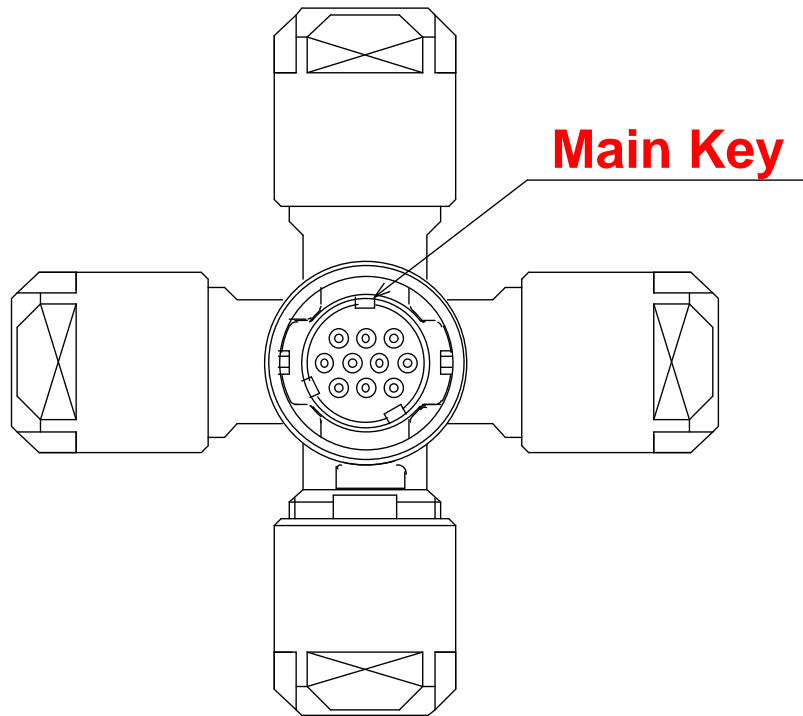


# JN1/JN2 Series Feature

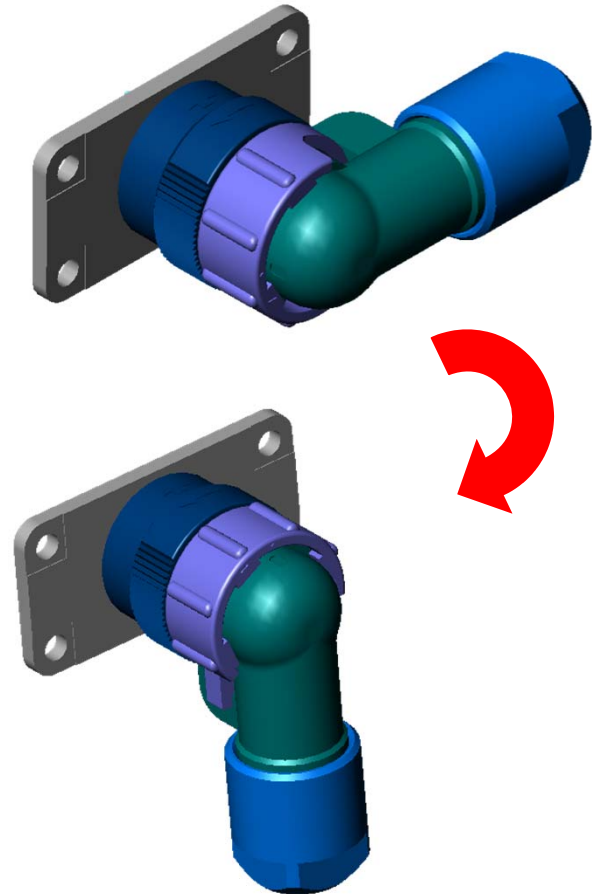
## One-touch Locking Mechanism



# Setting of Plug Cable

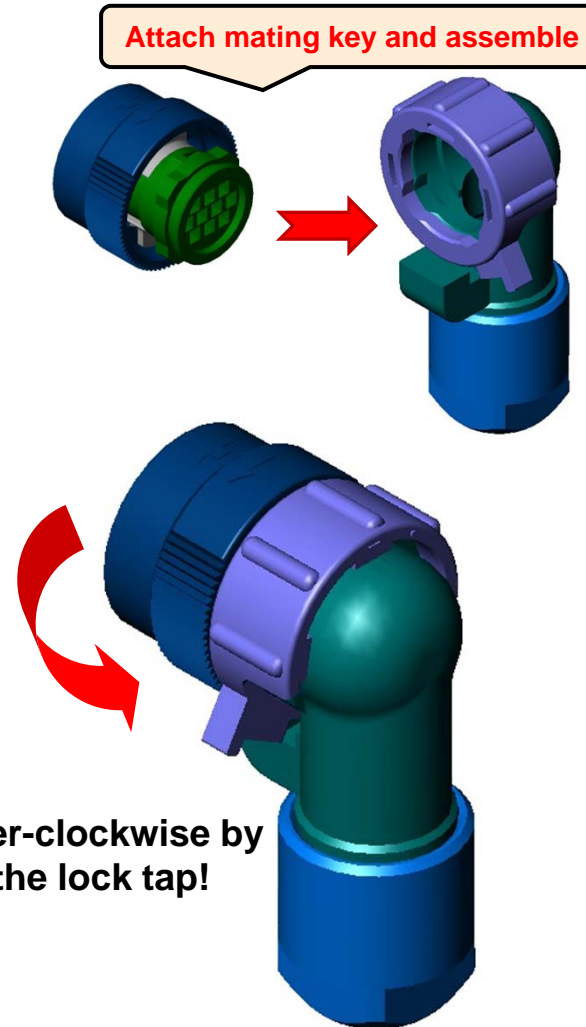
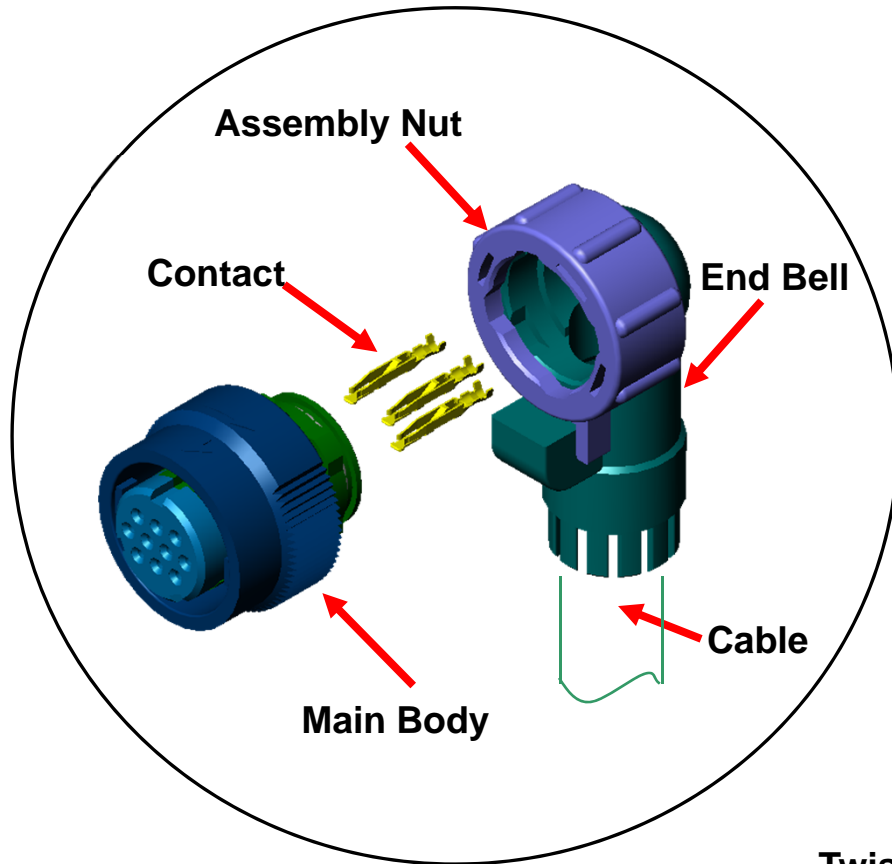


**4 direction settings**

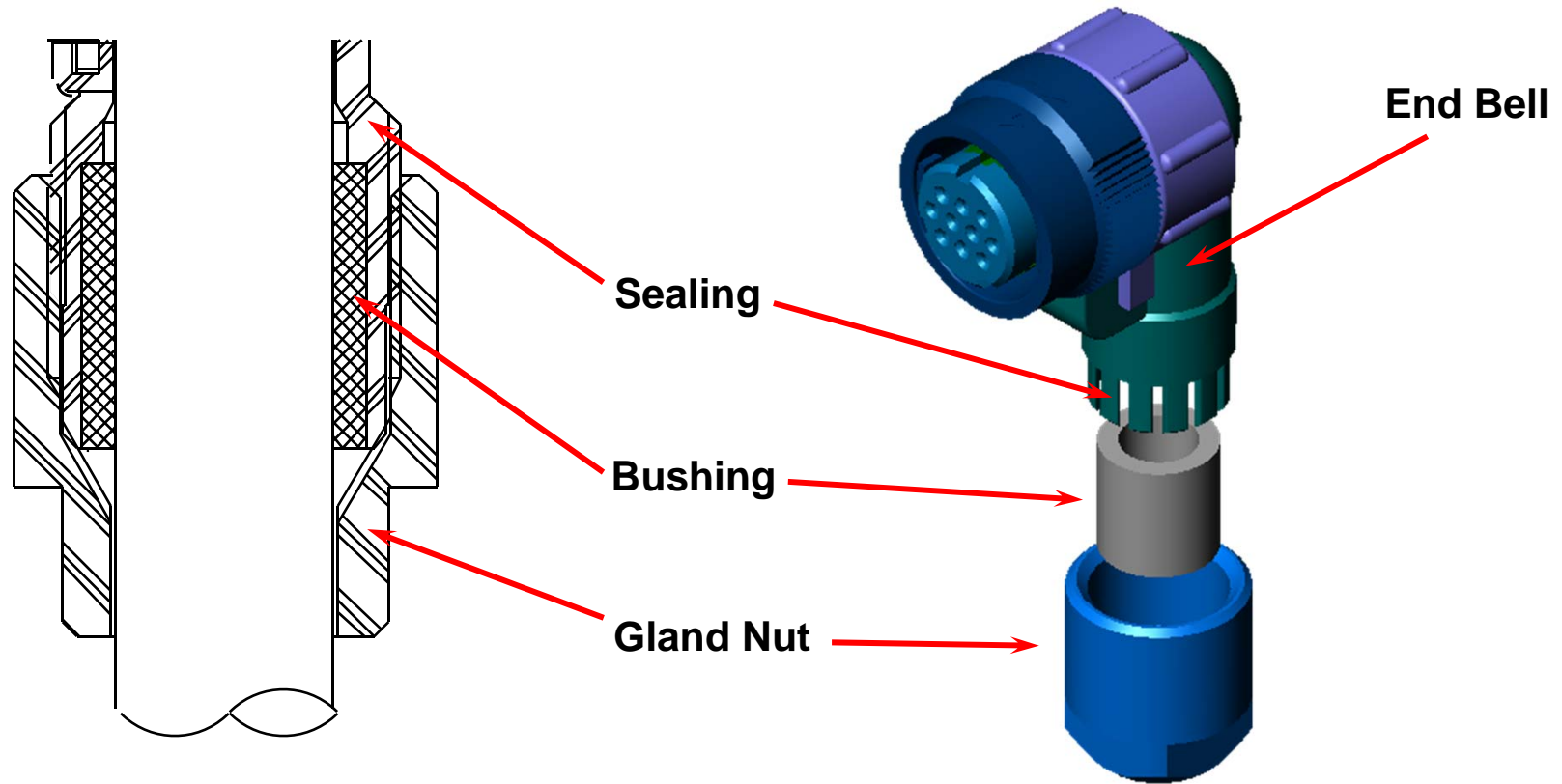




# Easy Assembly

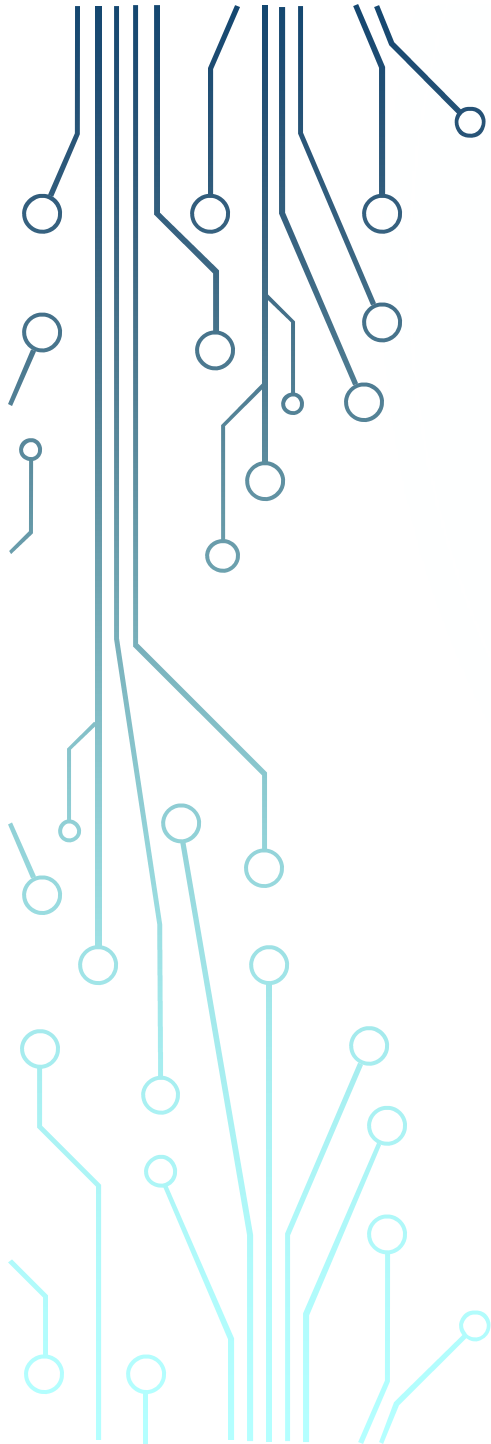


# Water and Dust Resistant (IP67)



## Summary

- IP67 rating ensures that these connectors are waterproof and dust resistant
- One-touch lock mechanism
- All-plastic JN1 and partially metal JN2
- Compact design enables both options be to used in various applications



**Technology to Inspire Innovation**

**JAE**