

*When failure is not an option.*

# Mini Circular Connectors

*Miniature D Series Connector for Medical Applications*



*Actual Size*

*Nearly 30% Smaller than  
Our D01 Connectors*

*0.30mm Hypertac® High  
Reliability Contacts*

*Simple Push-Button  
Latching*

*Distinctive Housing  
Provides Alignment  
and Polarization*

*Available with Custom  
Overmolding and  
Cable Assemblies*

## Small Connector, High Reliability

With significant industry trends toward product miniaturization and product integration, manufacturers continue to create more sophisticated products with higher levels of data acquisition and signal processing.

Hypertronics new “mini” connector is designed to be both rugged and versatile in order to meet the increased functionality requirements for today’s more advanced systems.

The next generation miniature connector is designed to reduce size by nearly 30 percent while providing maximum signal reliability. The mini connector is a product extension of the popular push-button D Series circular connector line.

The D00 mini connector incorporates ultrareliable Hypertac hyperboloid contacts with Ø0.30mm pins which create a significantly smaller form factor with five-signal contacts rated at 1 Amp each. The design maintains the all same reliable electromechanical performance

characteristics of all Hypertac contacts: high cycle life, low contact resistance, low insertion and extraction force, resistance to shock and vibration, and superior self-cleaning action, but now meet the industry’s increased demands for miniaturization and higher density.

The easy-to-assemble mini D Series incorporates the familiar push-button latch for simple operation with alignment and polarization provided by the distinctive housing design. Crimp / solder terminations accommodate up to 24 AWG wire. The receptacle has 6-inch [15.24mm] pigtails and is available with optional custom lengths and board terminations.

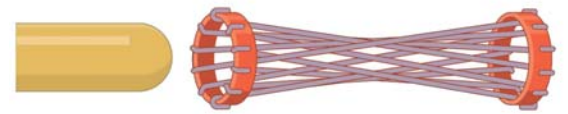
The mini D Series connector is ideal for use in medical equipment such as monitors, therapeutic devices, imaging applications, and invasive probes. With medical systems becoming smaller, Hypertronics mini connectors allow manufacturers to create smaller devices that offer more comfort and portability for patients.

# Mini Circular Connectors

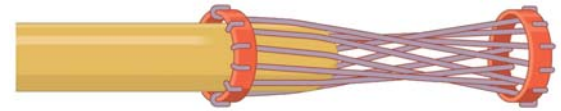
## Hypertac® Contact System

### Features

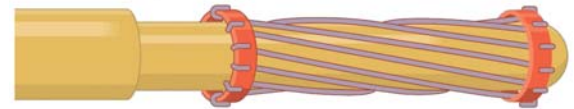
- Hypertac high reliability contacts
- 1 Amp rating per contact
- High cycle life
- Self-cleaning contacts
- Low mating forces
- Simple, easy to use latching mechanisms
- Available with custom overmolding and cable assemblies
- Crimp / solder contact terminations
- Value Add Option: Receptacles with 6-inch wire leads



Wire sleeve before insertion of pin



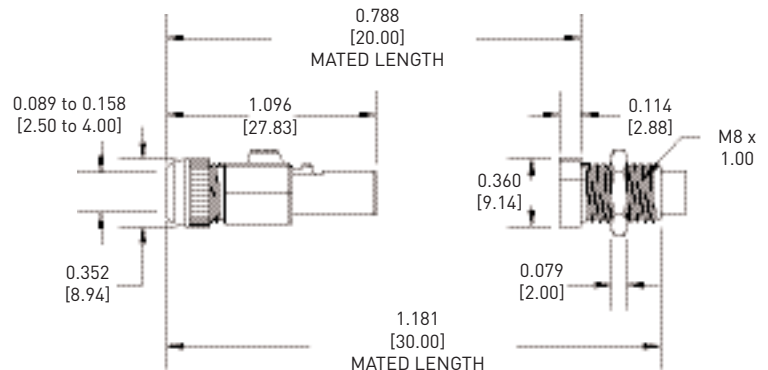
Pin partially inserted into sleeve



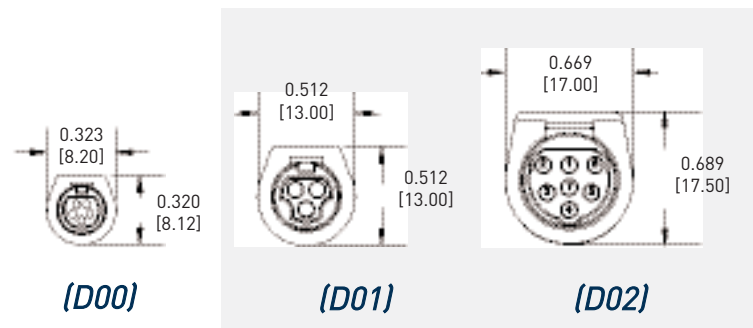
Pin completely inserted into sleeve

D Series Mini (D00) - General Specifications	
Contact Diameter	0.30mm
Current Rating	1 Amp per contact
Contact Resistance	6.7 milliohms
Contact Extraction Force	0.35 to 1.6 oz. per contact
Contact Life Cycles	Up to 100,000
Breakdown Voltage Between Contacts	> 1000V
Dielectric Withstanding Voltage	> 750V
Contact Materials and Plating	Sockets: Beryllium copper wire and brass body; Gold over nickel Pins: Brass; gold over nickel
Insulation Resistance	> 103 megohms at 500 VDC
Temperature Rating Polyetherimide	-40° C to 125° C

### "Mini" D Series (D00)



### D Series Mating Face Comparison



### Hypertronics Corporation

16 Brent Drive  
Hudson, MA 01749-2978  
Toll Free: 1-800-225-9228  
Phone: +1 978-568-0451  
Fax: +1 978-568-0680  
www.hypertronics.com

**smiths**  
bringing technology to life

Copyright© 2009 Hypertronics Corporation - All rights reserved.  
Hypertac is a registered trademark of Smiths and/or its subsidiaries and affiliates. HYPERTRONICS and the H logo are trademarks of Hypertronics Corporation. All other names and marks are property of their respective owners. HYP-038-0209