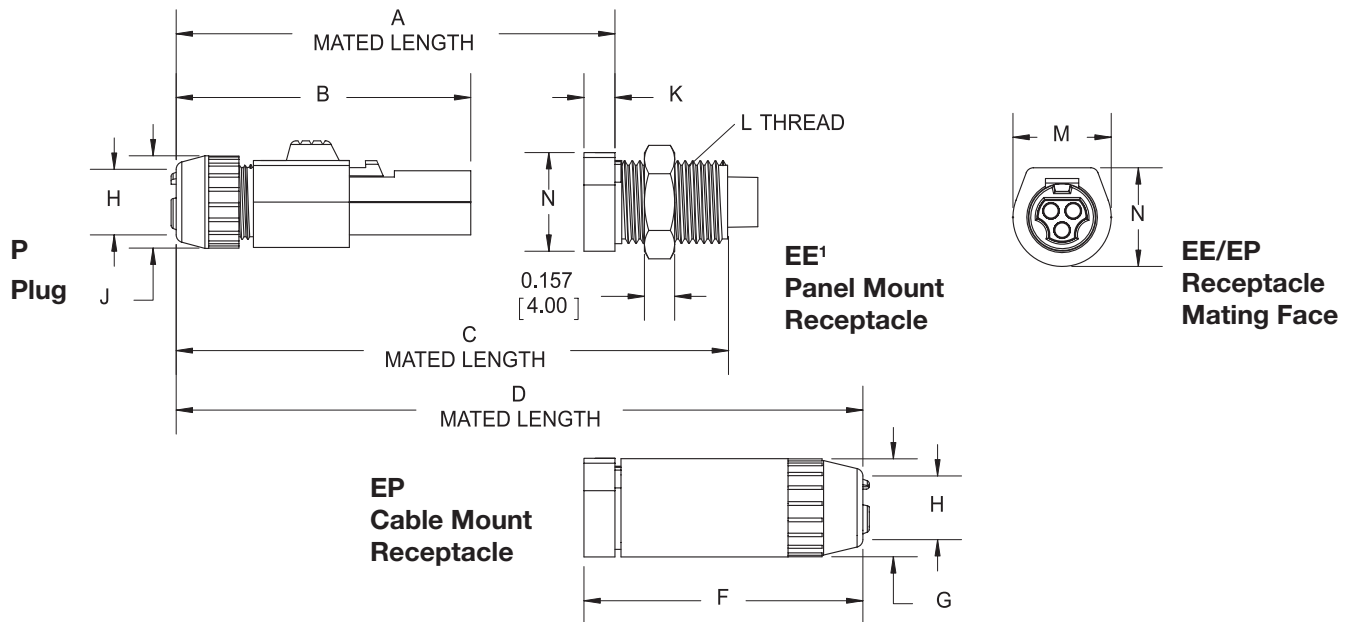




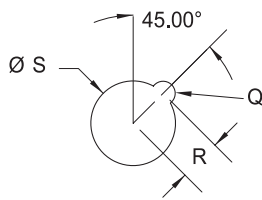
## Circular Plastic Connectors

- 3, 4, 7, 9, 12 and 25 position models
- 1 to 8 Amps per contact
- Mixed signal and power or coax available
- recognized components File No. 102195
- Each connector half accepts pins or sockets
- High impact plastic body
- Quick disconnect push button release
- Alignment and polarization provided by housing
- Crimp, solder cup, and pc contacts
- Color coding available

### Connector Dimensions



### Mounting Dimensions



**Hole Punches**

Part Number	Series	Maximum Recommended Panel Thickness in Steel	Maximum Recommended Panel Thickness in Alum.
T1903	D01	0.048 [1.25]	0.075 [1.90]
T1904	D02	0.062 [1.60]	0.094 [2.40]

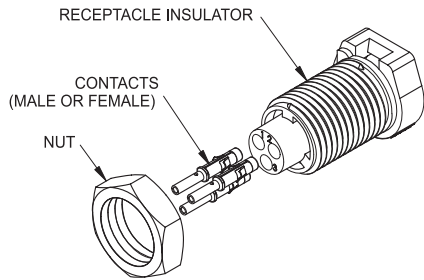
Dimension	D01 Housing	D02 Housing
<b>A</b>	1.142 [29.00]	1.358 [34.50]
<b>B</b>	1.614 [41.00]	1.950 [49.50]
<b>C</b>	1.732 [44.00]	2.087 [53.00]
<b>D</b>	2.400 [61.00]	2.953 [75.00]
<b>F</b>	1.500 [38.00]	1.772 [45.00]
<b>G Dia.</b>	0.512 [13.00]	0.709 [18.00]
<b>H Dia.</b>	0.118 [3.00] Min. 0.216 [5.50] Max.	0.197 [5.00] Min. 0.315 [8.00] Max.
<b>J Dia.</b>	0.472 [12.00]	0.709 [18.00]
<b>K</b>	0.161 [4.10]	0.278 [7.00]
<b>L</b>	M11 X 1.00 Thd.	M15 X 1.00 Thd.
<b>M</b>	0.512 [13.00]	0.669 [17.00]
<b>N</b>	0.512 [13.00]	0.689 [17.50]
<b>Q Dia.</b>	0.220 [5.60]	0.100 [2.54]
<b>R</b>	0.126 [3.20]	0.295 [7.50]
<b>S Dia.</b>	0.441 [11.20]	0.598 [15.20]

**NOTE:**

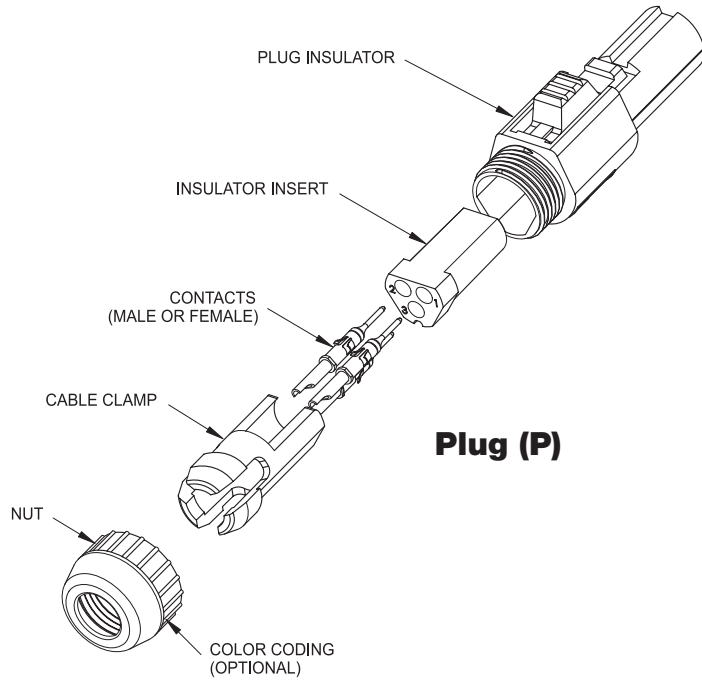
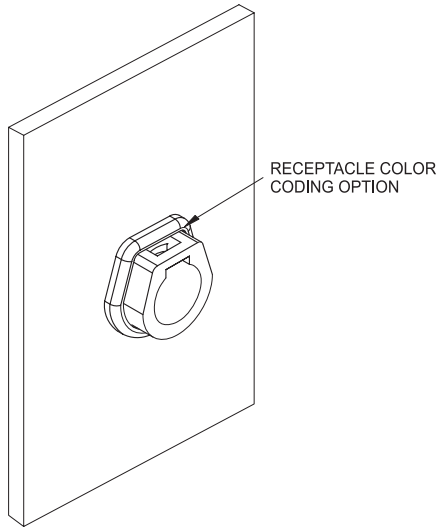
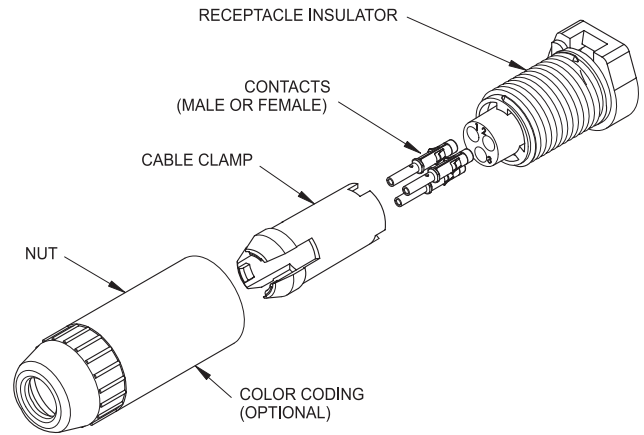
1) Recommended tightening torque for panel mount receptacle (0.452-0.678 N•M) for both D01 and D02.

Dimensions are in inches [mm]

### Panel Mount Receptacle (EE)



### Cable Mount Receptacle (EP)



Dimensions are in inches [mm]

<b>D01 General Specifications</b>			
	<b>3 Pin</b>	<b>4 Pin</b>	<b>9 Pin</b>
<b>Contact Diameter</b>	0.024 [0.60]	0.024 [0.60]	0.016 [0.40]
<b>Current Rating (Amps)</b>	4	4	1
<b>Contact Resistance (milliohms)</b>	< 5	< 5	< 8
<b>Extraction Force Per Contact (oz.)</b>	0.50 to 2.00	0.50 to 2.00	0.60 to 1.60
<b>Contact Life Cycles</b>	100,000	100,000	100,000
<b>Breakdown Voltage Between Contacts</b>	> 2250V	> 2250V	> 1000V
<b>Dielectric Withstanding Voltage</b>	1650V	1650V	750V
<b>Contact</b>			
Socket Material	Beryllium copper wires and brass body (socket)		
Pin Material	Brass (pin)		
Plating Material	Gold over nickel		
<b>Insulation Resistance</b>	> 10 <sup>3</sup> megohms at 500 VDC		
<b>Temperature Rating*</b>			
Polycarbonate (D01 - 3 and 4 pin only)	-40° C to 85° C		—
Polyetherimide (D01 - 9 pin only)	—		-40° C to 125° C*

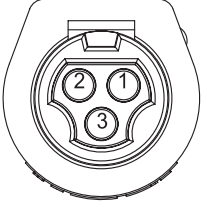
<b>Accessories</b>	<b>3 Pin</b>	<b>4 Pin</b>	<b>9 Pin</b>
Crimp Tool	AFM8 or (M22520/2-01)	AFM8 or (M22520/2-01)	AFM8 or (M22520/2-01)
Positioner	K547	K547	T1914
Removal Tool	S/DEM1.0060	S/DEM1.0060	—
Insertion Tool	T1866	T1866	T1916


<b>D02 General Specifications</b>					
	<b>3 Pin</b>	<b>7 Pin</b>	<b>9 Pin</b>	<b>12 Pin</b>	<b>25 Pin</b>
<b>Contact Diameter</b>	0.059 [1.50]	0.024 [0.60]	0.024 [0.60]	0.018 [0.50]	0.016 [0.40]
<b>Current Rating (Amps)</b>	8	4	4	2.5	1
<b>Contact Resistance (milliohms)</b>	< 2	< 5	< 5	< 8	< 8
<b>Extraction Force Per Contact (oz.)</b>	1.80 to 5.40	0.50 to 2.00	0.50 to 2.00	0.30 to 1.60	0.30 to 1.60
<b>Contact Life Cycles</b>	100,000	100,000	100,000	100,000	100,000
<b>Breakdown Voltage Between Contacts</b>	> 2250	> 2000	> 1560	> 1000	> 1000
<b>Dielectric Withstanding Voltage</b>	1650	1500	1150	750	750
<b>Contact</b>					
Socket Material	Beryllium copper wires and brass body (socket)				
Pin Material	Brass (pin)				
Plating Material	Gold over nickel				
<b>Insulation Resistance</b>	> 10 <sup>3</sup> megohms at 500 VDC				
<b>Temperature Rating*</b>					
Polycarbonate (D02 - 3, 7, 9 and 12 pin only)	-40° C to 85° C				—
Polyetherimide (D02 - 25 pin only)	—				-40° C to 125° C*


<b>Accessories</b>	<b>3 Pin</b>	<b>7 and 9 Pin</b>	<b>12 Pin</b>	<b>25 Pin</b>
Crimp Tool	AF8	AFM8 or M22520/2-01	AFM8 or M22520/2-01	AFM8 or M22520/2-01
Positioner	TP688	K623	T870	T1914
Removal Tool	S/DEM5.0150	S/DEM1.0060	—	—
Insertion Tool	T1888	T1866	T1271	T1916

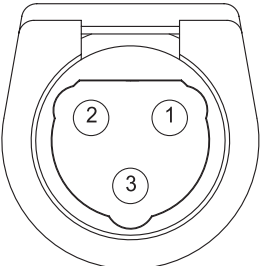
\*If color coding option is specified, maximum temperature rating is 85° C.


Dimensions are in inches [mm]

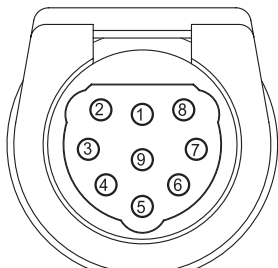
<p><b>D01</b> <b>3 Pin</b></p>  <p>Receptacle seen from mating side</p>	<p><b>Housing Options</b></p> <p>Receptacle Panel Mount Receptacle Cable Plug</p>	<p><b>Example Part Numbers</b></p> <p>D01EEB306FRTAH D01EPB306FRTAH D01PB306MRT</p>
	<p><b>Contact Options</b></p> <p>Crimp Socket – 22-26 AWG Crimp Socket – 18-20 AWG Solder Cup Socket – up to 22 AWG Crimp Pin – 22-26 AWG Crimp Pin – 18-20 AWG Solder Cup Pin – up to 22 AWG</p>	<p>See part number configurator on page 2/17 for complete ordering information.</p>
	<p><b>Tools</b></p> <p>Crimp Tool Crimp Positioner Removal Tool Insertion Tool</p>	<p>AFM8 or M22520/2-01 K547 S/DEM1.0060 T1866</p>


<p><b>D01</b> <b>4 Pin</b></p>  <p>Receptacle seen from mating side</p>	<p><b>Housing Options</b></p> <p>Receptacle Panel Mount Receptacle Cable Plug</p>	<p><b>Example Part Numbers</b></p> <p>D01EEB406FRTAH D01EPB406FRTAH D01PB406MRT</p>
	<p><b>Contact Options</b></p> <p>Crimp Socket – 22-26 AWG Crimp Socket – 18-20 AWG Solder Cup Socket – up to 22 AWG Crimp Pin – 22-26 AWG Crimp Pin – 18-20 AWG Solder Cup Pin – up to 22 AWG</p>	<p>See part number configurator on page 2/17 for complete ordering information.</p>
	<p><b>Tools</b></p> <p>Crimp Tool Crimp Positioner Removal Tool Insertion Tool</p>	<p>AFM8 or M22520/2-01 K547 S/DEM1.0060 T1866</p>


<p><b>D01</b> <b>9 Pin</b></p>  <p>Receptacle seen from mating side</p>	<p><b>Housing Options</b></p> <p>Receptacle Panel Mount Receptacle Cable Plug</p>	<p><b>Example Part Numbers</b></p> <p>D01EEB904FRUTAH D01EPB904FRUTAH D01PB904MRUT</p>
	<p><b>Contact Options</b></p> <p>Crimp Socket – 26-28 AWG Solder Cup Socket – up to 26 AWG Crimp Pin – 26-28 AWG Solder Cup Pin – up to 26 AWG</p>	<p>See part number configurator on page 2/17 for complete ordering information.</p>
	<p><b>Tools</b></p> <p>Crimp Tool Crimp Positioner Insertion Tool</p>	<p>AFM8 or M22520/2-01 T1914 T1916</p>

<p><b>D02</b> <b>3 Pin</b></p>  <p>Receptacle seen from mating side</p>	<p><b>Housing Options</b></p> <p>Receptacle Panel Mount Receptacle Cable Plug</p>	<p><b>Example Part Numbers</b></p> <p>D02EEB315FRTAH D02EPB315FRTAH D02PB315MRT</p>
	<p><b>Contact Options</b></p> <p>Crimp Socket – 18 and 20 AWG Solder Cup Socket – up to 16 AWG Crimp Pin – 18 and 20 AWG Solder Cup Pin – up to 16 AWG</p>	<p>See part number configurator on page 2/17 for complete ordering information.</p>
	<p><b>Tools</b></p> <p>Crimp Tool Crimp Positioner Removal Tool Insertion Tool</p>	<p>AF8 TP688 S/DEM5.0150 T1888</p>

<p><b>D02</b> <b>7 Pin</b></p>  <p>Receptacle seen from mating side</p>	<p><b>Housing Options</b></p> <p>Receptacle Panel Mount Receptacle Cable Plug</p>	<p><b>Example Part Numbers</b></p> <p>D02EEB706FRTAH D02EPB706FRTAH D02PB706MRT</p>
	<p><b>Contact Options</b></p> <p>Crimp Socket – 22-26 AWG Solder Cup Socket – up to 22 AWG Crimp Pin – 22-26 AWG Solder Cup Pin – up to 22 AWG</p>	<p>See part number configurator on page 2/17 for complete ordering information.</p>
	<p><b>Tools</b></p> <p>Crimp Tool Crimp Positioner Removal Tool Insertion Tool</p>	<p>AFM8 or M22520/2-01 K623 S/DEM1.0060 T1866</p>

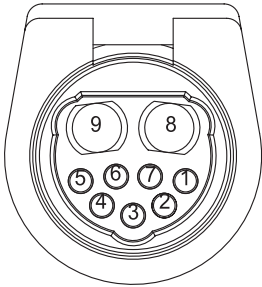
<p><b>D02</b> <b>9 Pin</b></p>  <p>Receptacle seen from mating side</p>	<p><b>Housing Options</b></p> <p>Receptacle Panel Mount Receptacle Cable Plug</p>	<p><b>Example Part Numbers</b></p> <p>D02EEB906FRTAH D02EPB906FRTAH D02PB906MRT</p>
	<p><b>Contact Options</b></p> <p>Crimp Socket – 22-26 AWG Solder Cup Socket – up to 22 AWG Crimp Pin – 22-26 AWG Solder Cup Pin – up to 22 AWG</p>	<p>See part number configurator on page 2/17 for complete ordering information.</p>
	<p><b>Tools</b></p> <p>Crimp Tool Crimp Positioner Removal Tool Insertion Tool</p>	<p>AFM8 or M22520/2-01 K623 S/DEM1.0060 T1866</p>

<p><b>D02</b> <b>12 Pin</b></p>  <p>Receptacle seen from mating side</p>	<p><b>Housing Options</b></p> <p>Receptacle Panel Mount Receptacle Cable Plug</p>	<p><b>Example Part Numbers</b></p> <p>D02EEB125FRTAH D02EPB125FRTAH D02PB125MRT</p>
	<p><b>Contact Options</b></p> <p>Crimp Socket – 22-26 AWG Solder Cup Socket – up to 22 AWG Crimp Pin – 22-26 AWG Solder Cup Pin – up to 22 AWG</p>	<p>See part number configurator on page 2/17 for complete ordering information.</p>
	<p><b>Tools</b></p> <p>Crimp Tool Crimp Positioner Insertion Tool</p>	<p>AFM8 or M22520/2-01* T870 T1271</p>

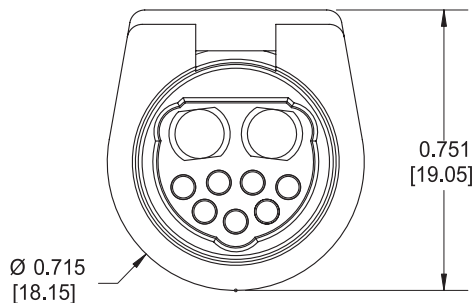
<p><b>D02</b> <b>25 Pin</b></p>  <p>Receptacle seen from mating side</p>	<p><b>Housing Options</b></p> <p>Receptacle Panel Mount Receptacle Cable Plug</p>	<p><b>Example Part Numbers</b></p> <p>D02EEB2504FRUTAH D02EPB2504FRUTAH D02PB2504MRUT</p>
	<p><b>Contact Options</b></p> <p>Crimp Socket – 26-28 AWG Solder Cup Socket – up to 26 AWG Crimp Pin – 26-28 AWG Solder Cup Pin – up to 26 AWG</p>	<p>See part number configurator on page 2/17 for complete ordering information.</p>
	<p><b>Tools</b></p> <p>Crimp Tool Crimp Positioner Insertion Tool</p>	<p>AFM8 or M22520/2-01 T1914 T1916</p>

## Combination Connectors Power and Signal

• Two 8 Amp and seven 2.5 Amp Signal Contacts • Crimp Contacts

<p><b>D02</b> <b>Power and Signal</b></p>  <p>Receptacle seen from mating side</p>	<p><b>Housing Options</b></p> <p>Receptacle Panel Mount Plug</p>	<p><b>Example Part Numbers*</b></p> <p>D02EEB215/705FRTAH D02PB215/705MRT</p>	
	<p><b>Contact Options</b></p> <p>Power Socket – 16-20 AWG Power Pin – 16-20 AWG Signal Socket – 22-26 AWG Signal Pin – 22-26 AWG</p>	<p>See part number configurator on page 2/17 for complete ordering information.</p>	
	<p><b>Tools</b></p> <p>Crimp Tool Crimp Positioner (Pin) Crimp Positioner (Socket) Removal Tool Insertion Tool</p>	<p><b>Power</b></p> <p>AF8 T1164 TP688 T1124 –</p>	<p><b>Signal</b></p> <p>AFM8 T870 T870 – T1215</p>

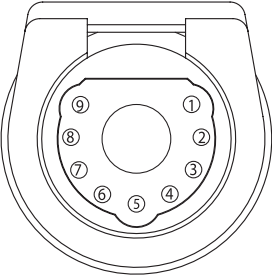
<b>General Specifications</b>		
<b>Contacts</b>	<b>Power</b>	<b>Signal</b>
Number of Contacts	2	7
Diameter	0.059 [1.50]	0.018 [0.50]
Current Rating (Amps)	8	2.50
Contact Resistance	< 2.0 milliohms	< 8.0 milliohms
Extraction Force	1.8 to 5.4 oz.	0.3 to 1.6 oz.
<b>Contact Material</b>	<p>Brass Beryllium copper wires and brass body</p>	
<b>Insulator Material</b>	<p>Polycarbonate Polycarbonate</p>	
<b>Flammability</b>	UL94V0	
<b>Temperature Rating</b>	-40° C to 85° C	
<b>Insulation Resistance</b>	> 10 Mohm at 500 VDC	



**NOTE:**  
\*B = Black Polycarbonate Available in Power and Signal.

Dimensions are in inches [mm]

## Combination Connectors Coax or Power and Signal

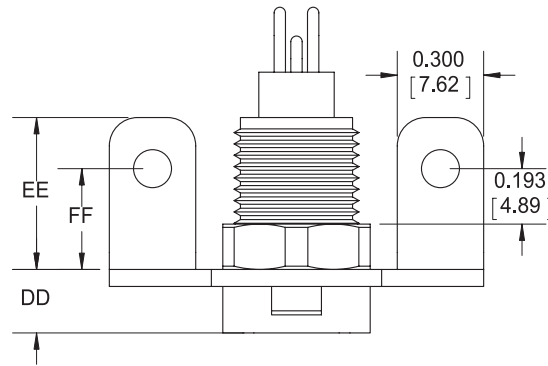
<p><b>D02</b> <b>Coax or Power and Signal</b></p>  <p>Receptacle seen from mating side</p>	<b>Housing Options</b>		<b>Example Part Numbers<sup>1</sup></b>	
	Receptacle Panel Mount Receptacle Cable Plug		D02EEB905FR1C1FRUTHA D02EPB905FR1C1FRUTHA D02PB905MR1C1MRUT	
	<b>Contact Options</b>		See part number configurator on page 2/17 for complete ordering information.	
	Coax Crimp Socket – RRG 316, RG316DB Coax Solder Cup Socket – RG405, T-Flex 405 Coax Crimp Pin – RG316, RG316DB Coax Solder Cup Pin – RG405, T-Flex 405 Power Crimp Socket – 12 AWG Power Crimp Pin – 12 AWG Signal Crimp Socket – 22-26 AWG Signal Solder Cup Socket – 22-26 AWG Signal Crimp Pin – 22-26 AWG Signal Solder Cup Pin – 22-26 AWG			
<b>Tools</b>				
		<b>Coax</b>	<b>Power</b>	<b>Signal</b>
Crimp Tool		HX3 (Outer) AFM8 (Inner)	M309	AFM8
Crimp Die Set		T1958 (Outer) or T2019 (Outer for RG316DB)	–	–
Crimp Positioner		T1957 (Inner)	T1981	T870
Removal Tool		T1982	T1982	–
Insertion Tool		–	–	T1215

**NOTES:**  
 1) H = Black Polyetherimide (High Temperature).  
 2) Available in Coax or Power and Signal.

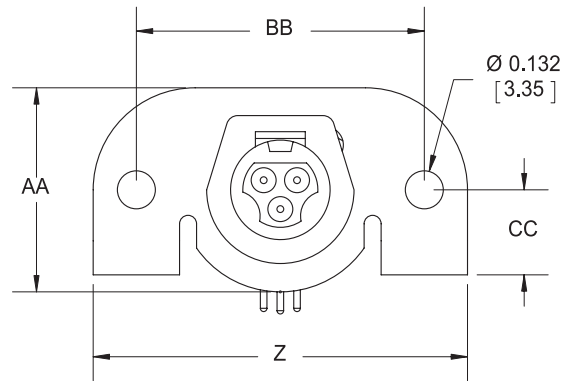
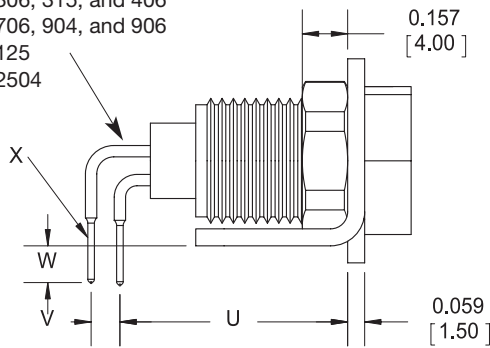
Dimensions are in inches [mm]



## Printed Circuit Board Receptacles (Right Angle)



2 Rows: 306, 315, and 406  
 3 Rows: 706, 904, and 906  
 4 Rows: 125  
 6 Rows: 2504



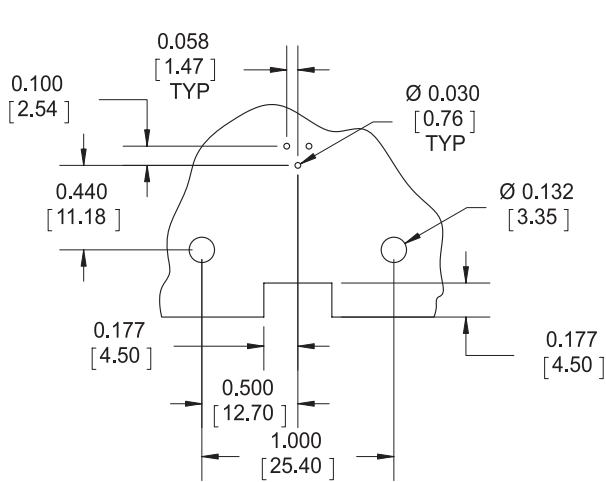
Dimension	D01 Housing 3 and 4 Position	D01 Housing 9 Position	D02 Housing 3 Position	D02 Housing 7 and 9 Position	D02 Housing 12 Position	D02 Housing 25 Position
<b>U</b>	0.790 [20.07]	0.700 [17.79]	0.834 [21.19]	0.742 [18.85]	0.689 [17.50]	0.655 [16.65]
<b>V</b>	0.100 [2.54]	0.075 [1.90]	0.150 [3.81]	0.100 [2.54]	0.100 [2.54]	0.075 [1.90]
<b>W</b>	0.187 [4.74]	0.181 [4.60]	0.184 [4.68]	0.177 [4.50]	0.173 [4.39]	0.181 [4.60]
<b>X Dia.</b>	0.024 [0.60]	0.015 [0.38]	0.059 [1.50]	0.024 [0.60]	0.017 [0.435]	0.015 [0.38]
<b>Z</b>	1.300 [33.02]	1.300 [33.02]	1.500 [38.10]	1.500 [38.10]	1.500 [38.10]	1.500 [38.10]
<b>AA</b>	0.709 [18.00]	0.709 [18.00]	0.866 [22.00]	0.866 [22.00]	0.866 [22.00]	0.866 [22.00]
<b>BB</b>	1.000 [25.40]	1.000 [25.40]	1.200 [30.48]	1.200 [30.48]	1.200 [30.48]	1.200 [30.48]
<b>CC</b>	0.236 [6.00]	0.236 [6.00]	0.315 [8.00]	0.315 [8.00]	0.315 [8.00]	0.315 [8.00]
<b>DD</b>	0.220 [5.60]	0.220 [5.60]	0.335 [8.50]	0.335 [8.50]	0.335 [8.50]	0.335 [8.50]
<b>EE</b>	0.528 [13.40]	0.528 [13.40]	0.610 [15.50]	0.610 [15.50]	0.610 [15.50]	0.610 [15.50]
<b>FF</b>	0.350 [8.89]	0.350 [8.89]	0.400 [10.16]	0.400 [10.16]	0.400 [10.16]	0.400 [10.16]

Dimensions are in inches [mm]

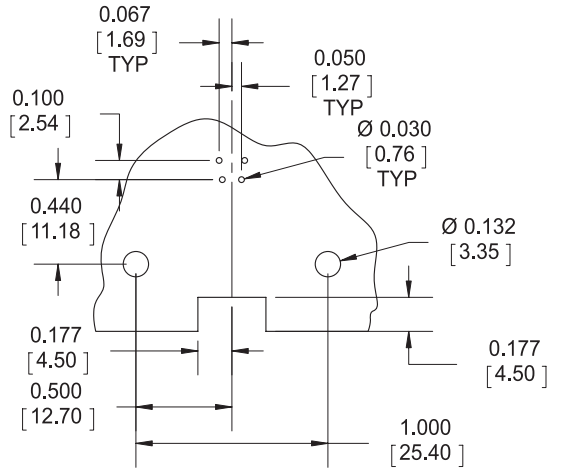
## Mounting Dimensions

### Right Angle Daughter Board Application

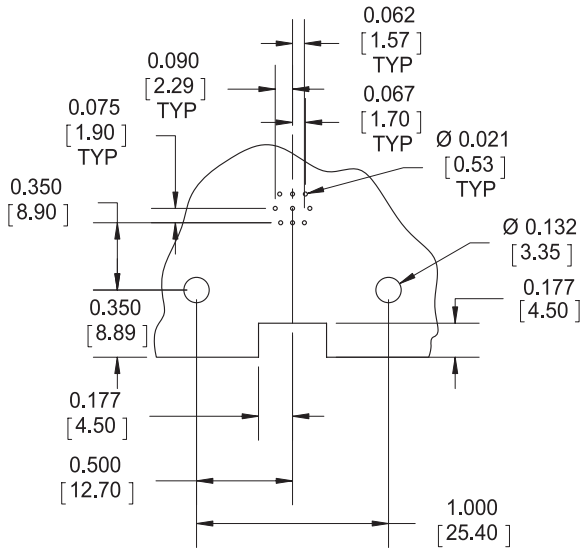
Printed Circuit Board Shown From Component Side



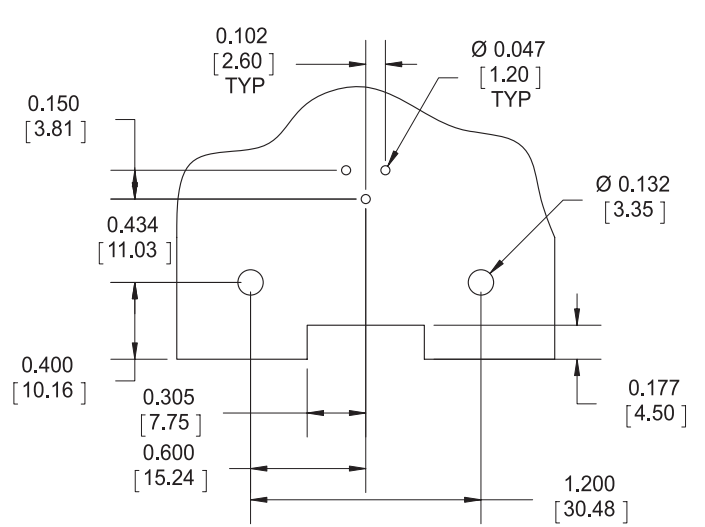
**Printed Circuit Board Layout for  
D01EEB306FB24TABH**



**Printed Circuit Board Layout for  
D01EEB406FB24TABH**



**Printed Circuit Board Layout for  
D01EEB904FB24UTABH**



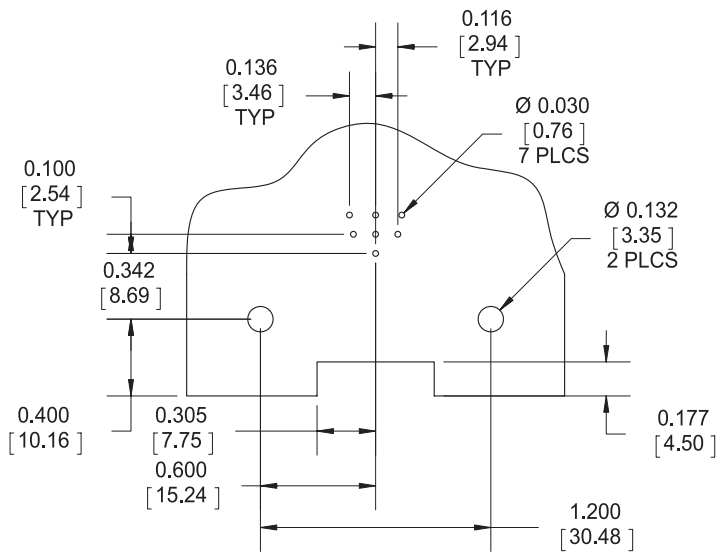
**Printed Circuit Board Layout for  
D02EEB315FB24TABH**

Dimensions are in inches [mm]

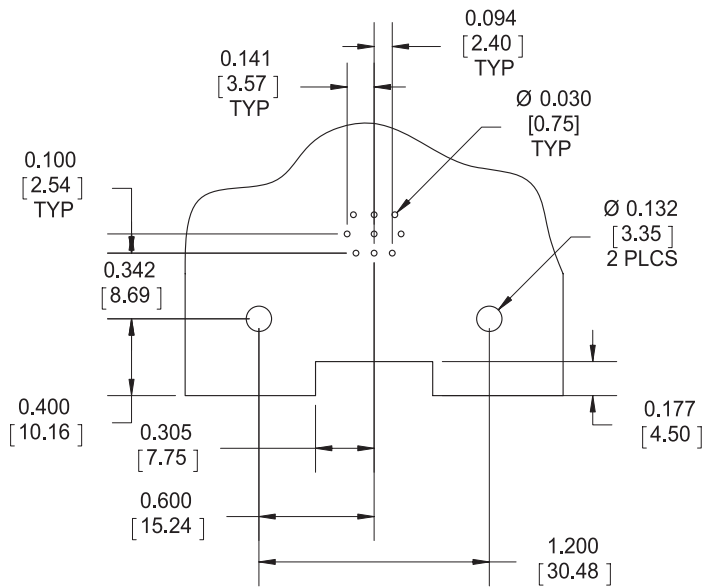
## Mounting Dimensions

### Right Angle Daughter Board Application

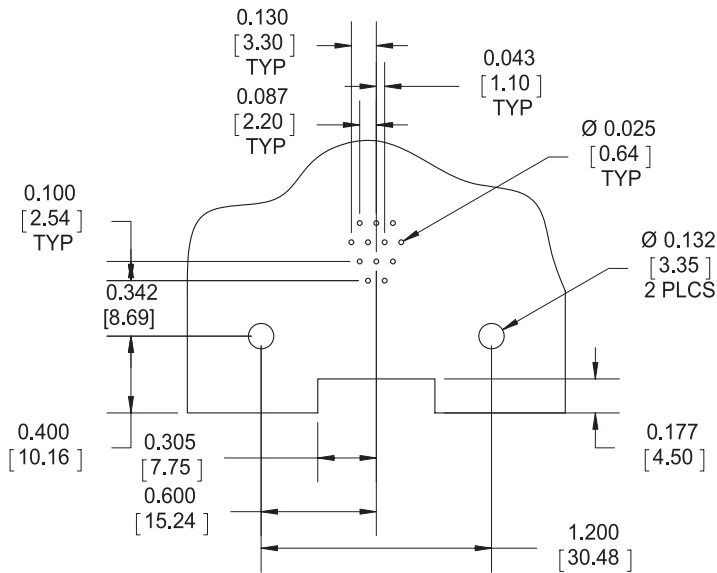
Printed Circuit Board Shown From Component Side



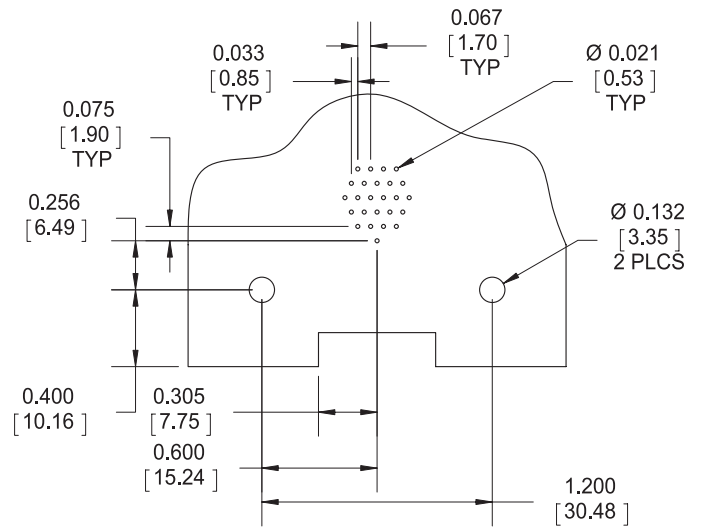
**Printed Circuit Board Layout for  
D02EEB706FB24TABH**



**Printed Circuit Board Layout for  
D02EEB906FB24TABH**



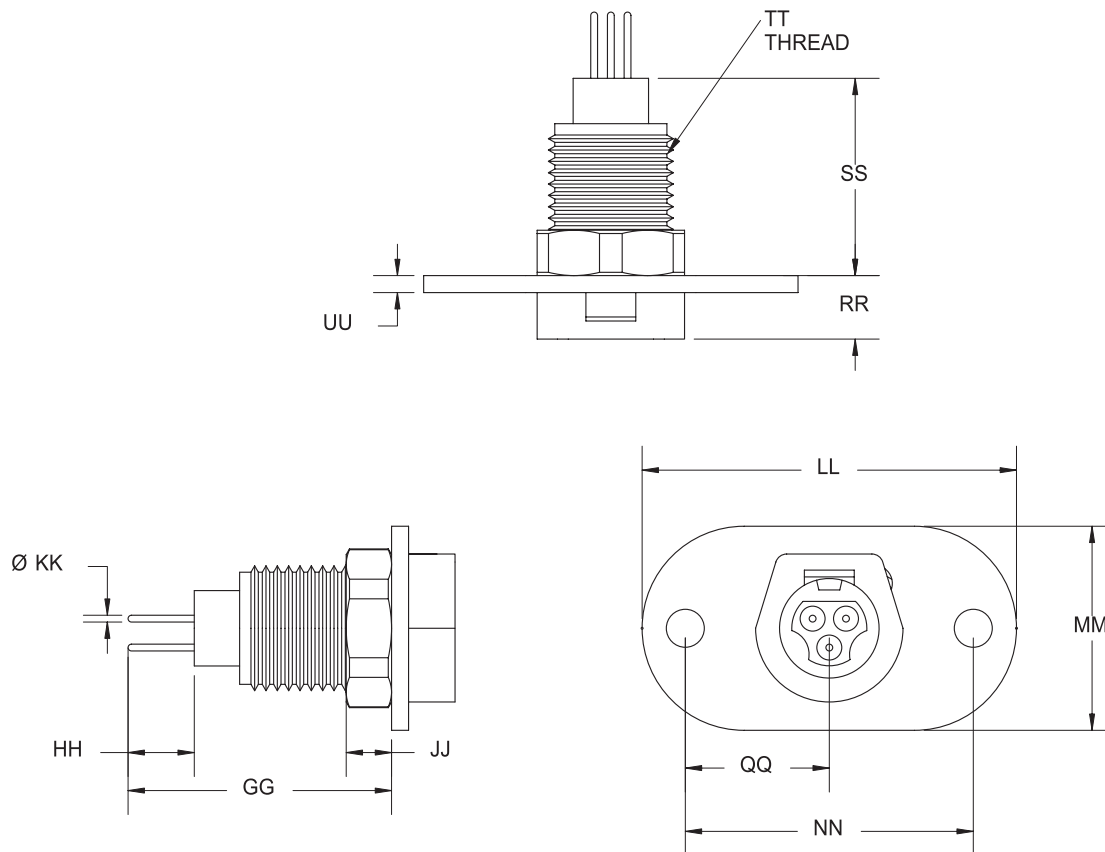
**Printed Circuit Board Layout for  
D02EEB125FB24TABH**



**Printed Circuit Board Layout for  
D02EEB2504FB24UTABH**

Dimensions are in inches [mm]

## Printed Circuit Board Receptacles (Straight Dip Solder)



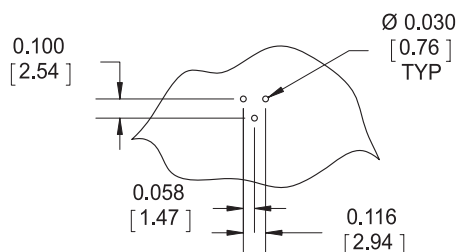
Dimension	D01 Housing 3 and 4 Position	D01 Housing 9 Position	D02 Housing 3 Position	D02 Housing 7 and 9 Position	D02 Housing 12 Position	D02 Housing 25 Position
GG	0.914 [23.23]	0.866 [22.00]	1.059 [26.91]	0.989 [25.12]	0.923 [23.45]	0.870 [22.10]
HH	0.229 [5.82]	0.181 [4.60]	0.193 [4.91]	0.221 [5.61]	0.233 [5.94]	0.260 [4.60]
JJ	0.157 [4.00]	0.157 [4.00]	0.157 [4.00]	0.157 [4.00]	0.157 [4.00]	0.157 [4.00]
KK	0.023 [0.58]	0.015 [0.38]	0.039 [1.00]	0.023 [0.58]	0.017 [0.43]	0.015 [0.38]
LL	1.300 [33.02]	1.300 [33.02]	1.500 [38.10]	1.500 [38.10]	1.500 [38.10]	1.500 [38.10]
MM	0.709 [18.00]	0.709 [18.00]	0.866 [22.00]	0.866 [22.00]	0.866 [22.00]	0.866 [22.00]
NN	1.000 [25.40]	1.000 [25.40]	1.200 [30.48]	1.200 [30.48]	1.200 [30.48]	1.200 [30.48]
QQ	0.500 [12.70]	0.500 [12.70]	0.600 [15.24]	0.600 [15.24]	0.600 [15.24]	0.600 [15.24]
RR	0.220 [5.60]	0.220 [5.60]	0.335 [8.50]	0.335 [8.50]	0.335 [8.50]	0.335 [8.50]
SS	0.685 [17.40]	0.685 [17.40]	0.866 [22.00]	0.768 [19.50]	0.689 [17.50]	0.689 [17.50]
TT	M11 x 1.00 Thd.	M11 x 1.00 Thd.	M15 x 1.00 Thd.	M15 x 1.00 Thd.	M15 x 1.00 Thd.	M15 x 1.00 Thd.
UU	0.059 [1.50]	0.059 [1.50]	0.059 [1.50]	0.059 [1.50]	0.059 [1.50]	0.059 [1.50]

Dimensions are in inches [mm]

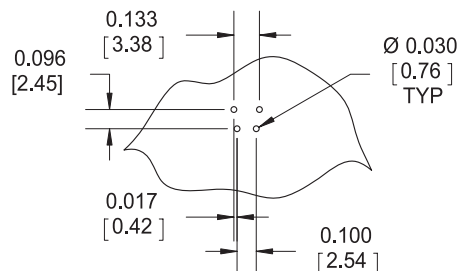
## Mounting Dimensions

### Straight Contact Printed Circuit Board Application

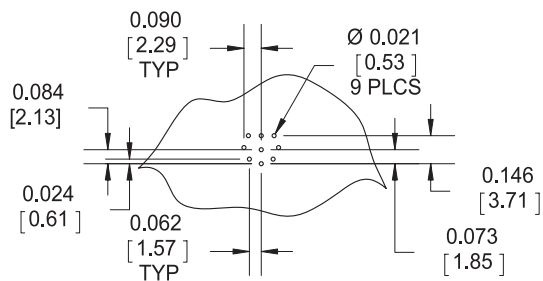
Printed Circuit Board Shown From Component Side



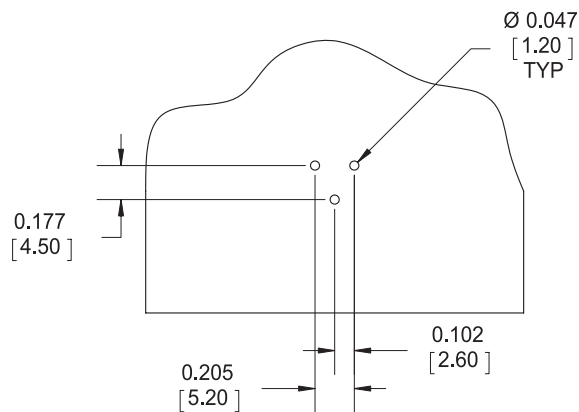
**Printed Circuit Board Layout for  
D01EEB306FD21TABH**



**Printed Circuit Board Layout for  
D01EEB406FD21TABH**



**Printed Circuit Board Layout for  
D01EEB904FD21UTABH**



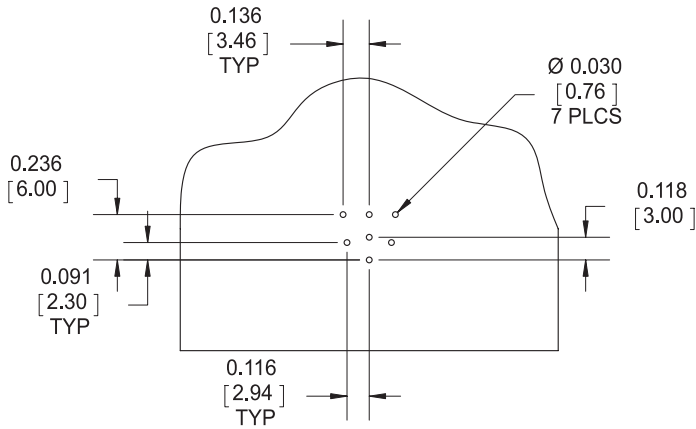
**Printed Circuit Board Layout for  
D02EEB315FD21TABH**

Dimensions are in inches [mm]

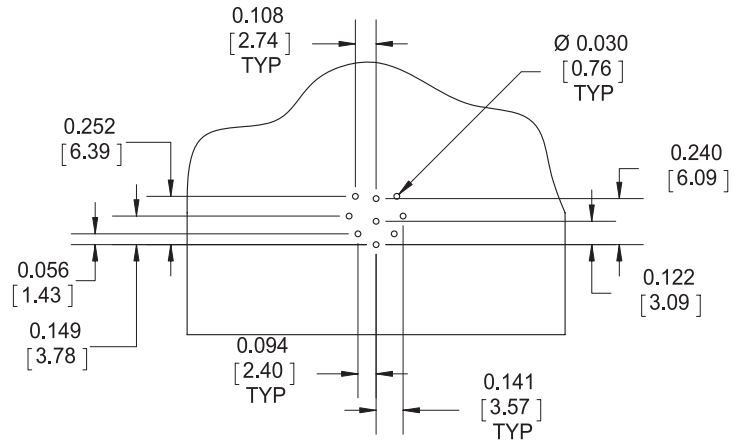
## Mounting Dimensions

### Straight Contact Printed Circuit Board Application

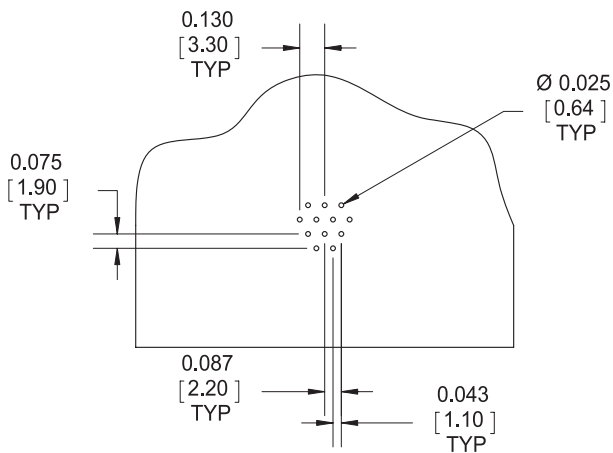
Printed Circuit Board Shown From Component Side



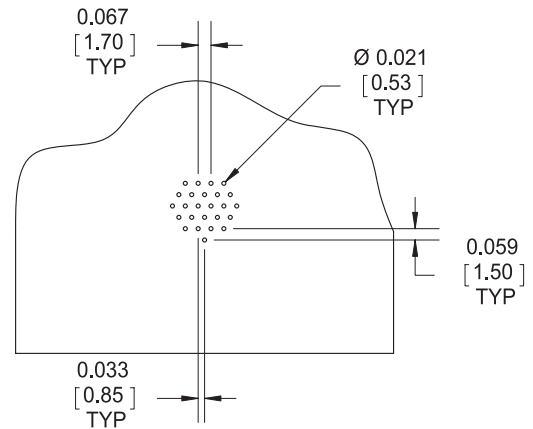
**Printed Circuit Board Layout for  
D02EEB706FD21TABH**



**Printed Circuit Board Layout for  
D02EEB906FD21TABH**



**Printed Circuit Board Layout for  
D02EEB125FD21TABH**



**Printed Circuit Board Layout for  
D02EEB2504FD21UTABH**

Dimensions are in inches [mm]

## Ordering Information

	<b>D01</b>	<b>V</b>	<b>P</b>	<b>B</b>	<b>306</b>	<b>F</b>	<b>B</b>	<b>24</b>	<b>U</b>	<b>TABH</b>	
<b>Connector Housing</b>	D01, D02										
<b>Color Code Indicator*</b>	D = Blue R = Red T = Orange V = Green W = White Y = Yellow Omit character if not required										
<b>Insulator</b>	P = Plug EE = Receptacle panel mount EP = Receptacle cable mount (EP Not available for 215/705 style)										
<b>Main Body Color</b>	B = Black										
<b>Contact Arrangement</b>	D01 3 Pin = 306 D01 4 Pin = 406 D01 9 Pin = 904 D02 3 Pin = 315 D02 7 Pin = 706		D02 9 Pin = 906 D02 12 Pin = 125 D02 25 Pin = 2504 D02 Power/Signal = 215/705								
										<b>Plating</b>	See Plating Reference
										<b>Material</b>	Omit for Polycarbonate U = Polyetherimide D01 904 and D02 2504 only
											00 = B&D terminal connectors with no bracket 21 = Mounting for straight printed circuit board 24 = Mounting for right angle print circuit board Omit for cable and front panel mount on R&S terminal.
										<b>Terminal Styles</b>	B = Right angle (female printed circuit mount only) <sup>1)</sup> D = Straight (female printed circuit mount only) <sup>1)</sup> R = Crimp for 22-26 AWG (shipped unassembled) RR = Crimp for 18-20 AWG (D01/306 and D01/406 only. (shipped unassembled)) S = Solder cup (shipped unassembled) Leave blank for no contacts
										<b>Contact Gender</b>	M = Male F = Female N = No contacts

*\*Note: Color code indicators are custom order only. Components are polycarbonate material.*

## D02 Coax or Power and Signal Ordering Information

	<b>D02</b>	<b>V</b>	<b>P</b>	<b>B</b>	<b>905</b>	<b>M</b>	<b>R</b>	<b>1C1</b>	<b>M</b>	<b>R</b>	<b>U</b>	<b>TH</b>
<b>Connector Housing</b>	D02											
<b>Color Code Indicator*</b>	Omit character if not required											
<b>Insulator</b>	P = Plug EE = Receptacle panel mount EP = Receptacle cable mount											
<b>Color</b>	B = Black											
<b>Contact Arrangement</b>	905											
<b>Signal Contact Gender</b>	M = Male F = Female N = No signal contacts											
<b>Terminal Styles</b>	R = Crimp S = Solder N = No contacts											
											<b>Plating</b>	See Plating Reference
											<b>Material</b>	U = Polyetherimide (black)
											<b>Terminal Styles</b>	R = Crimp S = Solder Omit for connector without power/coax contacts
										<b>Coax Contact Gender</b>	M = Male F = Female N = No coax / power contacts	
										<b>Coaxial/Power Cable Type</b>	1C1 = RG316 (crimp) 1C2 = T-Flex 405, RG 405 (solder only, cannot be used with crimp) 1C3 = RG316DB 1P1 = 12 AWG N = No contacts	

*\*Note: Color code indicators are custom order only. Components are polycarbonate material.*

### Plating Reference

Male Pins:	T = 10µin gold (min) over nickel TH = 50µin gold (min) over nickel
Female Sockets:	TAH = 50µin gold (min) over nickel on mating surface, gold flash over nickel on termination TABH = 50µin gold (min) over nickel on mating surface, tin lead over nickel on termination (D & B only)

**NOTE:**  
1) Check factory for availability.

Dimensions are in inches [mm]