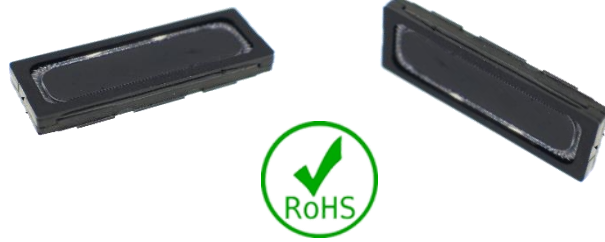


Features

- Excellent frequency response
- 25mm x 9mm
- Metal frame
- 1.0W continuous, 4 Ohm
- 89dB
- SMT



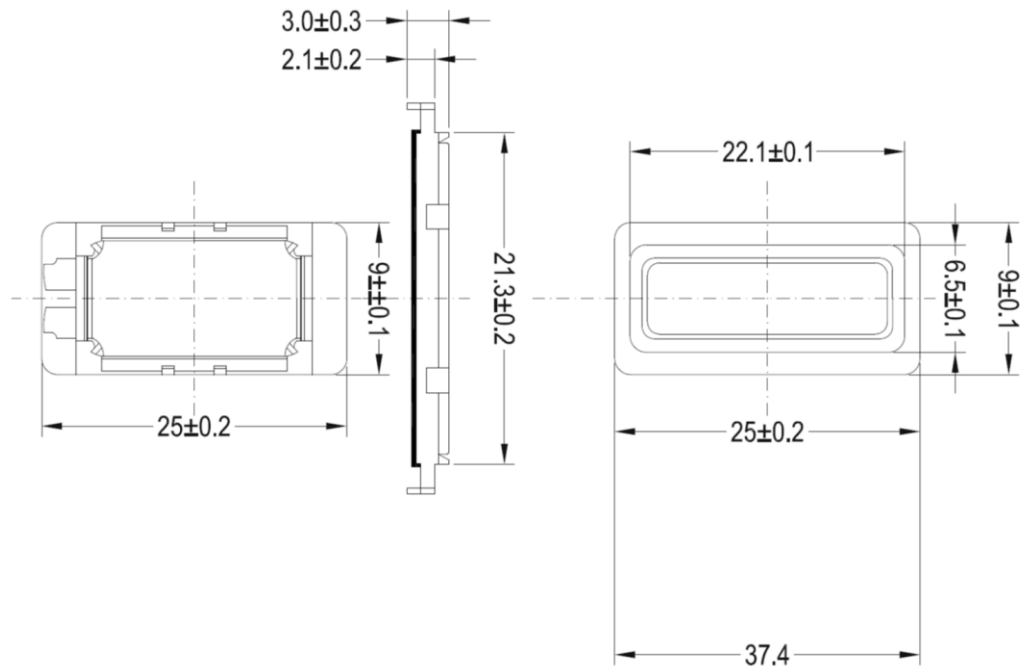
Applications

- IoT, AI, VR, AR
- Amazon, Google Voice Services
- Portable Electronics
- Consumer Electronics, Portable Audio
- Industrial Electronics

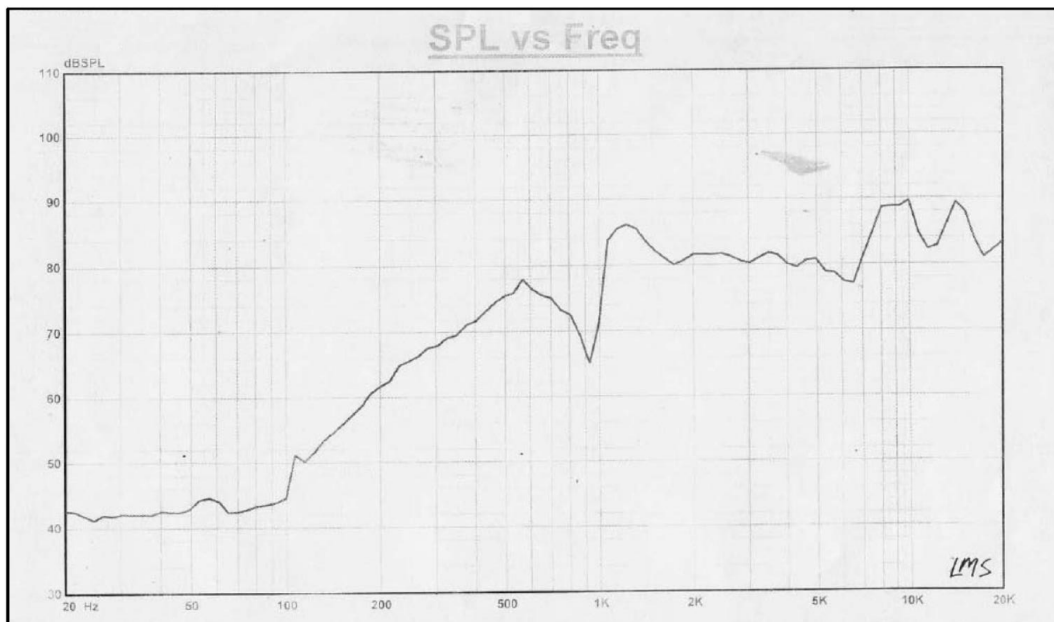
Electrical Specifications

No.	Item	Specification	Test Condition
1	Nominal Impedance	4 ± 1.2Ohm	1000 Hz 1.0 V
2	Resonance Frequency	650 ± 280 Hz	WITHOUT BAFFLE 1.0V
3	Output S.P.L.	89 ±3dB 0.1M/0.1W	1200, 1500, 2000, 2500 Hz
4	Rated Input Power	1.0W	
5	Max. Input Power	1.2 W	
6	Frequency Response	F0 – 20KHz	OUTPUT S.P.L -10 dB
7	Buzzes / Rattles	Should not be audible buzz and rattle	At 2.83v sine wave between 100Hz - 2KHz
8	Distortion	5% MAX	RATED POWER INPUT AT 1KHz
9	Polarity	When a positive DC current is applied to the voice coil terminal marked +, the diaphragm shall move forward	
10	Flux Density	Gauss	
11	Magnet	NdFeB weight: g(4Oz.)	
12	High Temperature Test	Test chamber for 48 hours at the condition of +60°C at 20 - 25% RH and then left 2 hours at room temperature	
13	Low Temperature Test	Test chamber for 48 hours at the condition of -25°C ±3°C and then left 2 hours at room temperature	
14	Humidity Test	Test chamber for 48 hours at the condition of +40°C 90 - 95% RH and then left 4 hours at room temperature	
15	Load Test	At 1.0W white noise is applied for 96 hours	
16	Drop Test	Drop the speakers contained in normal box onto a board 5mm thick 2 times from a height of 1.0m	
17	Operating Temperature	-25°C - +60°C	
18	Storage Temperature	-30°C - +60°C	

Mechanical Specifications



Frequency Response





Notes

1. These parts are manufactured in accordance with this specification. If other conditions and specifications are required for this product, please contact RDI for more information.
2. RDI will supply the parts in accordance with this specification unless we receive a written request to modify prior to order placement.
3. In no case shall RDI be liable for any product failure from inappropriate handling or operation of the item beyond the scope of this specification.
4. Please notify RDI immediately when changing your production process.
5. RDI products are “COTS” – Commercial-Off-The-Shelf products; suitable for Commercial, Industrial and Consumer Applications. For applications requiring high reliability and/or presenting an extreme operating environment, written consent and authorization from RDI is required. Please contact RDI for more information.
6. All specifications and markings are subject to change without prior notice.